



product  
**CATALOG**  
2025

**AGRINOVA**  
Ceccato-Mantovani

# Trusted partner

Agrinova is a company managed by the Ceccato family since the eighties, committed to maintaining a **direct and personal approach with its clients**. When a customer needs assistance in choosing a product, a spare part, or a service, they **can rely on immediate and human contact**: they will interact directly with a member of our staff, without going through intermediaries.

This approach allows for in-depth communication, understanding specific needs, and **identifying the ideal solution together, highlighting the human connection and mutual trust**.

since 1987

**AGRINOVA**  
Ceccato-Mantovani



**New logo for the company:** green is the central color of our new logo, symbolizing sustainability and connection to gardening.

We have updated our claim, giving greater prominence to the **"Ceccato-Mantovani"** brand to clearly communicate our identity. The result is a logo that **combines tradition and innovation with a modern, industrial style**, ready to reflect our business growth.

# Index

## Wood chippers

<b>ZENITH</b> tracked wood chipper	6
<b>ZAKANDRA</b> tracked wood chipper	14
<b>ZAKANDRA</b> drum chipper	22
<b>KOLISFERA</b> hybrid wood chipper	32
<b>ZENIA</b> chipper	36
<b>ZARA</b> chipper	40
<b>ZOE</b> shredder	44

---

## Debris loader & Lawn litter

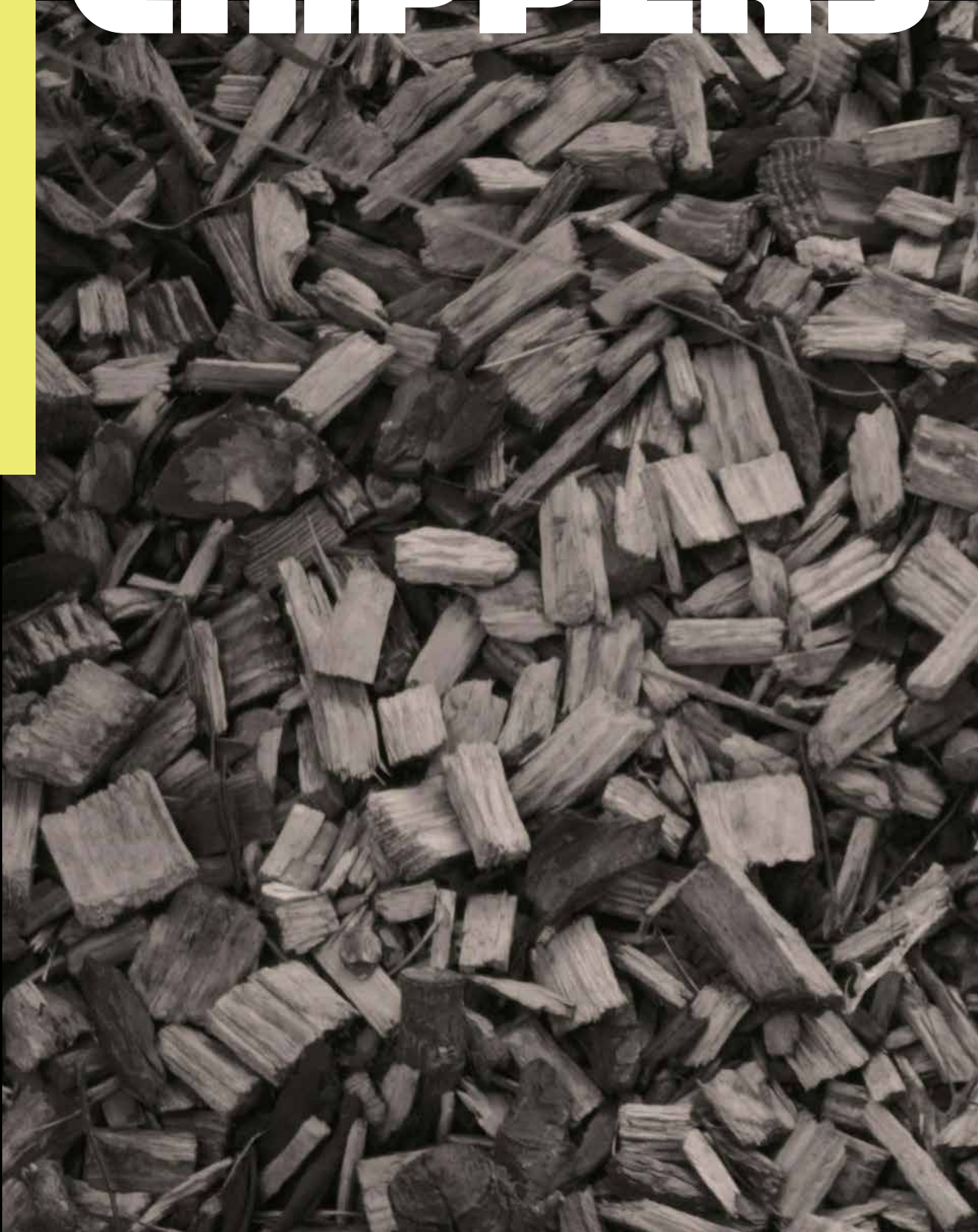
<b>OLYSSE</b>	50
<b>OTTO</b>	54
<b>OLGA</b>	60
<b>OSWALD</b>	62
<b>OSKAR</b>	68

---

## Power rakes & Scarifiers

<b>JEREMY</b> for tractor	72
<b>JEREMY</b> for tractor	76
<b>JULIO</b>	80
<b>JOSEF</b> self propelled	82
<b>JURGEN</b>	86
<b>JEFF</b>	90

# WOOD CHIPPERS





# ZENITH

## Tracked wood chipper

Cutting up to 15 cm (5,90 inch)



### Chipper for gardeners and renters

- on track
- double infeed roller
- drum type cutting system
- suitable also for fibrous material, such as palm tree
- no-stress system

# ZENITH

Zenith chipper is designed to quickly and **easily shred plant material** up to 15 cm (5,90 inch) in diameter.

It can be moved very easily and the **pruning point** can be reached without difficulty.



# » Strengths



- › **For easy move on areas with difficult access**, soft ground conditions, or uneven and sloping ground
- › **Ease of loading and unloading** from vans or trucks
- › **Compact size**, you can also load it on small vans (with the hopper folded and the discharge curve lowered, movements are easy)
- › **A single motor to drive track and chipper** to obtain: stability, movement and guide sensitivity, low center of gravity, lower fuel consumption, and reduced maintenance
- › **Hydraulically driven tracks**, speed up to 2.5 km/h
- › **Compact weight**, 680 kg (tracked version)
- › **Powerful Briggs&Stratton 31 HP Vanguard engine**
- › **Wood and branches cutting up to 15 cm (5,9 inch)**. Can cut fibrous material and prunings
- › **Wide feed hopper**
- › **Easy access** to cutting chamber
- › **Remote radio control** (optional)
- › **SAFETY check of the inclination** of the machine with LUMINOUS alarm and sound and operator's safety

Zenith chipper has been designed to **last over time** and in a **easy to maintain perspective**. Only a few components are subject to wear.



**GOOD FOR  
RENTING**

# why choose **ZENITH**

## power

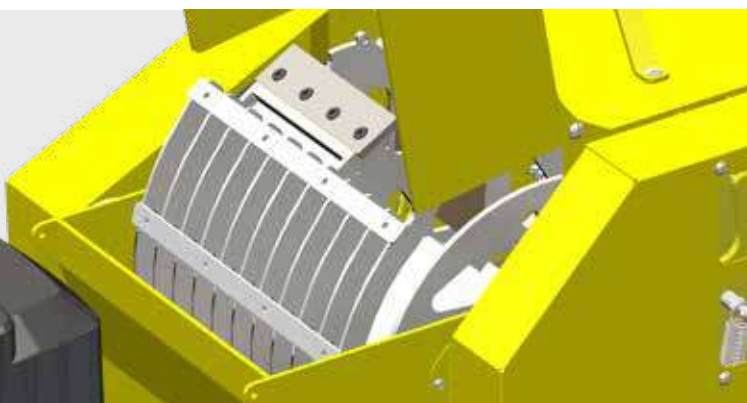
Briggs & Stratton 31 HP Vanguard professional engine, V-TWIN with electric start.  
**3 years warranty (Briggs & Stratton).**



## cutting capacity



**Cutting Up to 15 cm (5.9 inch),** wood or fibrous material (palm).



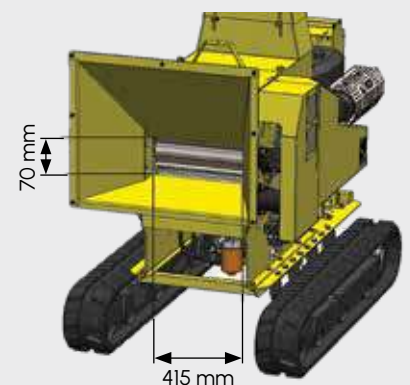
**Sieve** - 35 mm wide refining screen (optional): to obtain the most suitable wood chip size for your boiler (Wood chipper for biomass boilers).

**Drum cutting system with 4 blades.** 4 steel plate that rotate at high speed creating the air flow necessary to expel the processed material - even if very wet - at a height of about 2 meters.



**Double feed roller** to easy material introduction.

**Wide material introduction point.**



## » safety

Agrinova, with **over thirty years of experience**, has taken all the measures that ensure the operator to work in complete safety.



**Safety** transparent screen.



Great stability thanks to **quality tracks produced in Italy**. 1 mt track.



**Emergency/re-start** buttons.

## » comfort



### **Anti-clogging system:**

The Zenith chipper has a large discharge system that remains wide throughout its extension, avoiding narrowings that block the outgoing material in a bottleneck.

Thanks to the volume of air generated by the rotation of the cutting system, **Zenith is able to easily unload almost all types of shredded material**, even if it is particularly wet or leafy, minimizing clogging and machine stops.



### **Controls:**

2 levers located on the "console" allow separate control of the left and right track.



### **Possibility of adjusting the feed roller**

speed by acting on the flow adjustment knob.



The centrifugal clutch allows the **engine to start without loading the cutting system**.





**The movements are facilitated** with the hopper folded and the discharge curve lowered.



**Max width 1.25 meters.**  
The Zenith chipper is designed to be easily moved even on narrow paths.



**No-stress system** has the purpose of preserving the engine from excessive stress originating from the cutting of materials of large diameters, very hard, leafy, humid and, which requires a lot of power.



**The two feed rollers,** moved by a pair of hydraulic motors ensure the feeding of heavy and leafy logs into the cutting chamber.  
**The speed is adjustable** by a knob on the machine.



**Speed regulation and inversion** of the feeding roller by means of electric drives and controls.



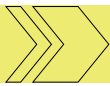
Thanks to its transparent window, it is possible to **see the inside of the cutting chamber** without opening it.



**Ease of access to the cutting chamber:** Zenith has been designed to be able to quickly and safely access the cutting chamber.



**HOUR COUNTER**  
excellent even in case of vehicle rental.



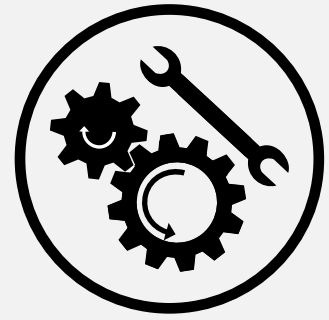
## optional



Remote radio control

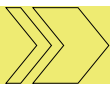


**Tilt control:** Zenith can be equipped with a luminous sound alarm for slope control.

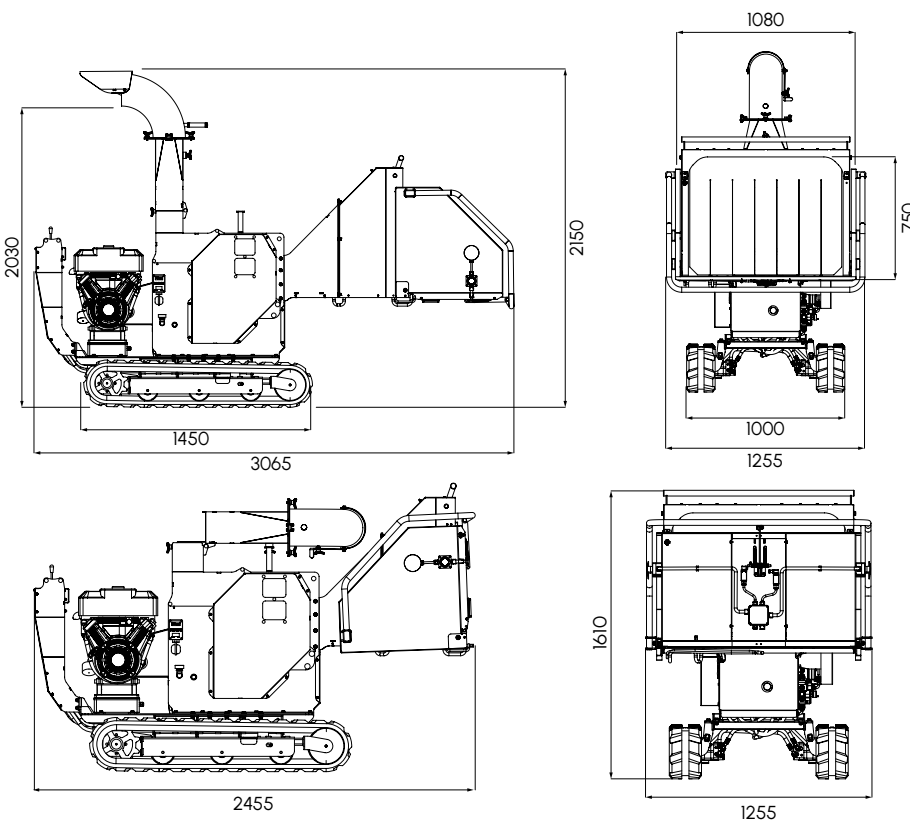


**Emergency kit:** a kit of spare knives, a belts kit.

**Example of shredded product** made with a Zenith chipper.



## dimensions



**We are working on the versions:**

- with Diesel engine
- for tractor
- on street chassis
- rotating turntable
- conveyor roller
- conveyor belt

**Transport configuration dimensions**

## ZH160-B31-AS-C

<b>GENERAL INFORMATION</b>	Max chippable diameter	150 mm (medium hardness wood)
	Work configuration - dimensions	3065 x 1255 x2 150 h mm
	Transport configuration - dimensions	2455 x 1255 x 1610 h mm
	Weight	720 Kg
	Hopper dimensions (Operator side)	1080 x 750 h mm
	Hopper dimensions (Feed roller side)	415 x 170 h mm
	Hydraulic oil tank capacity	13 l - Spin-on hydraulic oil filter
<b>ENGINE</b>	Type	Briggs & Stratton - Vanguard V-TWIN
	Power	31 HP
	Displacement	Twin 896 cc - air-cooled
	Fuel type	Gasoline
	Tank capacity	15 l
	Start up type	Electric and pull
	Battery	12 V - acid retained - free service
<b>CUTTING SYSTEM</b>	Type	Drum system
	Drum system	50 Kg
	Blades - number	4 and 1 fixed hardened counter-knife
	Transmission	Double belt with centrifugal clutch
	Bearings	Cast iron support bearings
<b>FEEDING SYSTEM</b>	Type	2 counter rotating feed roller
	Control	By safety bar on hopper for stop and reverse By upper safety bar on top of the hopper for stop By restart button on the sides of the hopper for forward
	Transmission	Dedicated hydraulic pump for feed rollers
	No-stress device	Standard equipment - automatic start and stop for feed rollers
<b>DISCHARGE</b>	Type	Tiltable discharge tube - 270° rotation of discharge curve
	Discharge curve dimensions	200 mm diameter
	Control	Adjustable deflector
<b>HANDLING SYSTEM</b>	Type	On track
	Transmission	Dedicated hydraulic pump for each track
	Control	2 lever on rudder - independant lever for each track

# ZAKANDRA

## Tracked wood chipper

Cutting up to 12 cm (4,72 inch)



### Chipper for gardeners and renters

- on track
- double infeed roller
- drum type cutting system
- suitable also for fibrous material, such as palm tree
- no-stress system

# ZAKANDRA

Zakandra wood chipper is able to cut **any kind of plant residue, dry or wet**, up to a maximum diameter of 12 cm.

Zakandra offers the possibility of entering **agricultural, wooded areas** and easily overcome the slopes.



# » Strengths



- › **For easy move on areas with difficult access**, soft ground conditions, or uneven and sloping ground
- › **Ease of loading and unloading** from vans or trucks
- › **Compact size**, you can also load it on small vans (with the hopper folded and the discharge curve lowered, movements are easy)
- › **A single motor to drive track and chipper** to obtain: stability, movement and guide sensitivity, low center of gravity, lower fuel consumption, and reduced maintenance
- › **Hydraulically driven tracks**, speed up to 2.5 km/h
- › **Compact weight**, 680 kg (tracked version)
- › **Powerful Briggs&Stratton 31 HP Vanguard engine**
- › **Wood and branches cutting up to 15 cm (5,9 inch)**. Can cut fibrous material and prunings
- › **Wide feed hopper**
- › **Easy access** to cutting chamber
- › **Remote radio control** (optional)
- › **Safety check of the inclination** of the machine with LUMINOUS alarm and sound and operator's safety

Zakandra chipper has been designed to **last over time** and in a **easy to maintain perspective**. Only a few components are subject to wear.



**GOOD FOR  
RENTING**

# why choose **ZAKANDRA**

## power

Briggs & Stratton 23 HP Vanguard professional engine, V-TWIN with electric start.  
**3 years warranty (Briggs & Stratton).**



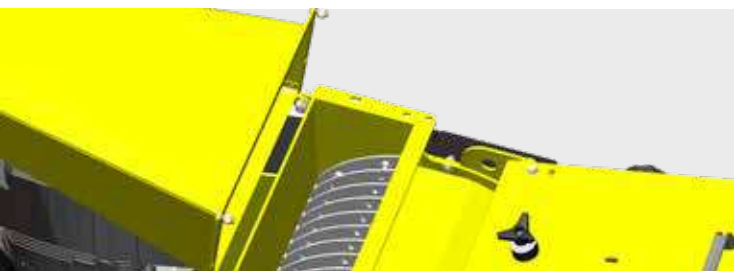
## cutting capacity



**Cutting Up to 12 cm (4.72 inch),** wood or fibrous material (palm).

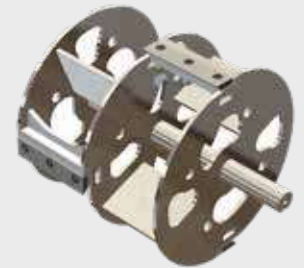


**Upper loading hopper:** wide material introduction point, dimensions: width 1200 mm; height altezza 430 mm.



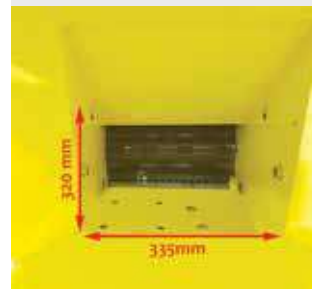
**Sieve for chip measure regulation:** Zakandra can be equipped with particular sieves that allows to graduate the shredded output in order to obtain chips of an ideal size for the purposes of supply of many Biomass Heating Systems.

**Drum cutting system with 4 blades.** 4 steel plate that rotate at high speed creating the flow of air necessary to expel the processed material - even if very wet - at a height of about 2 meters.



**Lower loading hopper:** the hopper remains large even at the cutting point, so that the machine is able to shred particularly leafy materials, such as olive trees pruning, avoiding blockages and allowing grinding of large quantities of material for each load.

This leads to a significant reduction of working times.



**Hydraulic infeed roller** is a 190 mm diameter toothed steel roller with adjustable speed and rotation direction; it is placed inside the hopper and carries every kind of vegetable waste automatically towards the cutting system. (roller width 332 mm).



## safety

Agrinova, with **over thirty years of experience**, has taken all the measures that ensure the operator to work in complete safety.



Safety transparent screen.



Great stability thanks to **quality tracks produced in Italy**, 1050 mm length; 900 mm track.



**Emergency/ re-start buttons.**

## comfort



**Anti-clogging system:** it has a large discharge system that remains wide throughout its extension, avoiding narrowings that block the outgoing material in a bottleneck.

Thanks also to the volume of air generated by the rotation of the cutting system, **Zakandra is able to easily unload almost all types of shredded material**, even if it is particularly wet or leafy, minimizing clogging and machine stops.



**ROTATION of 360°**

**Adjustable discharge curve:** The discharge curve of the Zakandra chipper is characterized by the possibility of being rotated 360° thus allowing to direct the jet of shredded material without having to move the body of the machine. The discharge curve reaches a height of 192 cm from the ground.



**Speed regulation and inversion of the feeding roller** by means of electric drives and controls.



**Palm pruning:** Zakandra is the ideal machine also for palm pruning and other particularly fibrous material.



**No-stress system** has the purpose of preserving the engine from excessive stress originating from the cutting of materials of large diameters, very hard, leafy, humid and, which requires a lot of power.

**Easy access to the cutting chamber:** the Zakandra chipper was designed so that it can be accessed very easily and quickly but always **in strict compliance with safety regulations**, to all those parts that normally require maintenance, in particular the cutting system and to the transmission mechanisms and **to monitor how the machine is working.**



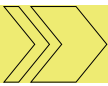
**Controls:** 2 levers located on the "console" allow separate control of the left and right track.



**Feed roller speed adjustment:** Changeover of the feed roller by means of electric drives and controls.



**HOUR COUNTER**  
excellent even in case of vehicle rental.



## optional

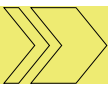


**Tilt control:** Zakandra can have a LUMINOUS sound alarm that is activated when dangerous inclinations are reached for the stability of the machine both longitudinally and transversally.

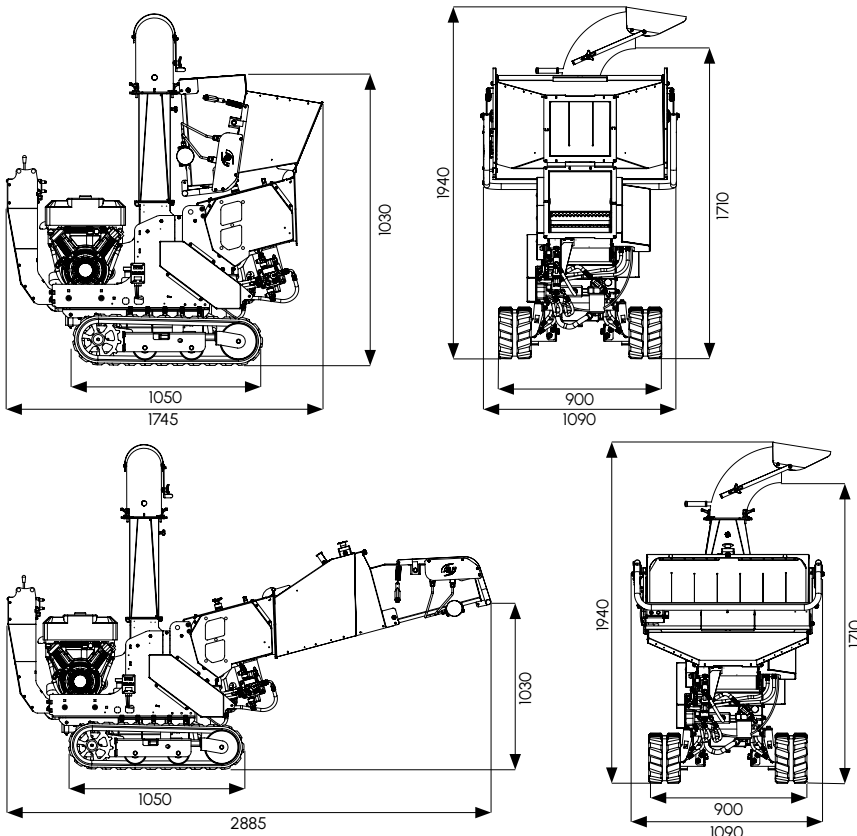


**Discharge curve extension:** allows the drain to be raised by 23 cm (up to a total height of 2.15 m) - Cod. B41892.

**Example of shredded product made with a Zakandra chipper.**



## dimensions



**Space management:** Zakandra has been designed considering the need to take up little space, in vans and storage. Hopper and discharge are closable.



## technical data

### ZA350-B2-AS-TL1-C

<b>GENERAL INFORMATION</b>	Max chippable diameter	120 mm
	Work configuration - dimensions	2900 x 1090 x 1960 h mm
	Temporary moving - dimensions	2400 x 1090 x 1960 h mm
	Transport configuration - dimensions	1750 x 1090 x 1960 h mm
	Weight	about 550 kg
	Hydraulic oil tank capacity	12 Litres (with filter and pressure gauge)
<b>ENGINE</b>	Type	Briggs & Stratton - Vanguard
	Power	23 HP
	Displacement	Twin cylinder
	Cooling	Air cooled
	Start up type	Electric
	Funel type	Gasoline
	Tank capacity	8,5 l
<b>CUTTING SYSTEM</b>	Type	Drum system
	Blades - number	2+2 knives + fixed counterknife
	Blades - materials	Core hardened steel
	Transmission	Double belt with centrifugal clutch
	Width	335 mm
<b>FEEDING SYSTEM</b>	Upper roller	Toothed, hydraulic steel, diameter 190 mm
	Lower roller	Smooth, nylon, folle diameter 80 mm
	Trasmissione	Idraulica - pompa dedicata per i rulli di avanzamento
	No-stress device	Di serie - Con conta-ore integrato
	Plumbing	Fixed flow pump with electromechanical flow controller
<b>LOADING HOPPER</b>	Dimensions (at chipping point)	335 x 270 mm
	Dimensions	960 x 425 mm
<b>DISCHARGE</b>	Type	360° rotation of discharge curve
	Control	Adjustable deflector
<b>HANDLING SYSTEM</b>	Type	On track
	Transmission	Hydraulic motors
	Track - length	1050 mm
	Track - width	900 mm
<b>OPTIONAL</b>	Sieve	✓ (width 25 mm)
	Raised discharge curve	✓
	Remote radio control	✓
	Slope control	✓

# ZAKANDRA

## Drum chipper

Cutting up to 12 cm (4,72 Inch)



**Professional wood chipper for gardening, agriculture and rental**

- with **infeed roller**
- **drum type cutting system**
- also suitable for **palm tree**
- **no-stress system**
- available on street chassis and for tractor

# ZAKANDRA

Zakandra wood chipper is able to cut any type of **plant residue, dry or wet, up to a maximum diameter of 12 cm.**

Zakandra offers the **possibility of entering agricultural, wooded areas** and easily overcome the slopes.



# » Strenghts



- › Zakandra can easily chips every kind of vegetable waste, dry or wet, up 12 cm max
- › The infeed hopper is wide both in the introduction area and in the cutting point, ensuring ease of work for the operator
- › In case of big volums of pruning: optional "TL" wider infeed hopper
- › Hydraulically driven tracks, speeds up to 2.5 km/h
- › It is designed for an easy access to maintenance areas
- › Easy mooving, thanks to she shape and the weight (350 kg)
- › The shape of the discharge curve allows an easy and immediate material explusion, without clogging
- › Zakandra produces homogeneous chips, with a quality that allow to be used in many boiler.

Zakandra chipper has been designed to **last over time** and in a **easy to maintain perspective**. Only a few components are subject to wear.



**GOOD FOR  
RENTING**

# why choose **ZAKANDRA** *on wheels*

## power

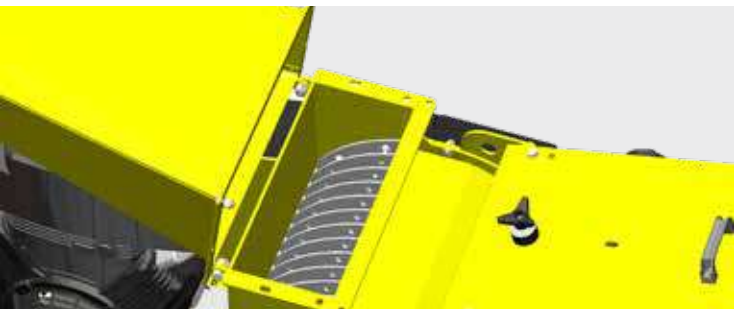
Briggs & Stratton 23 HP Vanguard professional engine, V-TWIN with electric start.  
**3 years warranty (Briggs & Stratton).**



## cutting capacity

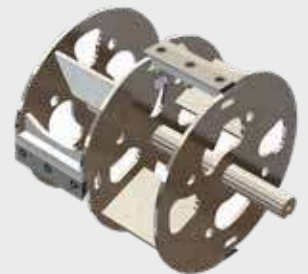


**Cutting Up to 12 cm (4,72 inch) wood or fibrous material (palm).**

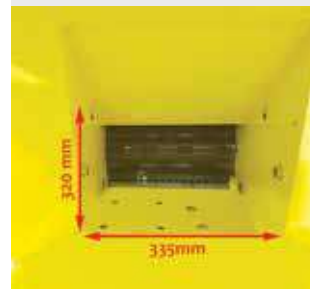


**Sieve for chip measure regulation:** Zakandra can be equipped with particular sieves that allows to graduate the shredded output in order to obtain chips of an ideal size for the purposes of supply of many Biomass Heating Systems.

**Drum cutting system with 4 blades.** 4 steel plate that rotate at high speed creating the flow of air necessary to expel the processed material - even if very wet - at a height of about 2 meters.



**Lower loading hopper:** the hopper remains large even at the cutting point, so that the machine is able to shred particularly leafy materials, such as olive trees pruning, avoiding blockages and allowing grinding of large quantities of material for each load. This leads to a significant reduction of working times.



**Hydraulic infeed roller** is a 190 mm diameter toothed steel roller with adjustable speed and rotation direction; it is placed inside the hopper and carries every kind of vegetable waste automatically towards the cutting system. (roller width 332 mm).



## Three types of hopper

**Closable hopper (version "TL1")** with electrical controls of the power supply system and emergency/restart button. This is only available in the models with nostress device. **This is not an optional**

**1**  
**Standard version**  
700 x 565 mm



**2**  
**"TL" version (optional)**  
1150 x 885 mm



**3**  
**"TL1" version (optional)**  
1200 x 430 mm



## safety



Safety transparent screen.



Emergency/ re-start buttons.

Agrinova, with **over thirty years of experience**, has taken all the measures that ensure the operator to work in complete safety.

## optional



**Discharge curve extension:** allows the drain to be raised by 23 cm (up to a total height of 2.15 m) - Cod. B41892.



**No-stress system:** it is a device that protect gasoline engine from excessive stress originating from the cutting of materials of large diameters, very hard, leafy, humid and, which in general require a lot of power.

## HOUR COUNTER

Excellent even in case of vehicle rental.



\*Only for version with hopper "TL1"

**Speed regulation and inversion of the feeding roller\*** by means of electric drives and controls.



**Palm pruning:** Zakandra is the ideal machine also for palm pruning and other particularly fibrous material.



**Sieve** for chip measure regulation (with 20 mm or 25 mm slit): Zakandra can be equipped with particular sieves that allows to graduate the shredded output in order to obtain chips of an ideal size for the purposes of supply of many Biomass Heating Systems.

**Easy access to the cutting chamber:** the Zakandra chipper was designed so that it can be accessed very easily and quickly but always **in strict compliance with safety regulations**, to all those parts that normally require maintenance, in particular the cutting system and to the transmission mechanisms and **to monitor how the machine is working.**



ROTATION of 360°

**Adjustable discharge curve:** it is characterized by the possibility of being rotated 360° thus allowing to direct the jet of shredded without having to move the body of the machine. The discharge curve reaches a height of **192 cm from the ground.**

**Feed roller speed adjustment.\*** Changeover of the feed roller by means of electric drives and controls.

\*Only for version with hopper "TL1"



## comfort



**Anti-clogging system:**  
it has a large discharge system that remains wide throughout its extension, avoiding narrowings that block the outgoing material in a bottleneck.

Thanks also to the volume of air generated by the rotation of the cutting system, **Zakandra is able to easily unload almost all types of shredded material**, even if it is particularly wet or leafy, minimizing clogging and machine stops.

## on street chassis

**Zakandra with foldable hopper** with electric controls and road trolley with COC approved for biotriturator.

**Hydraulic system:** fixed flow pump with electromechanical flow regulator

cod. ZA350-B2-AS-SO-TL1



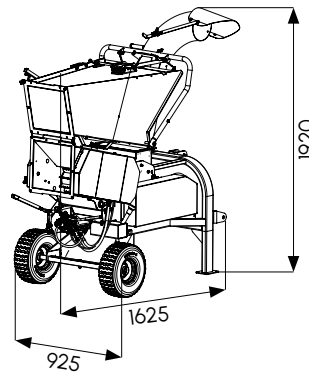
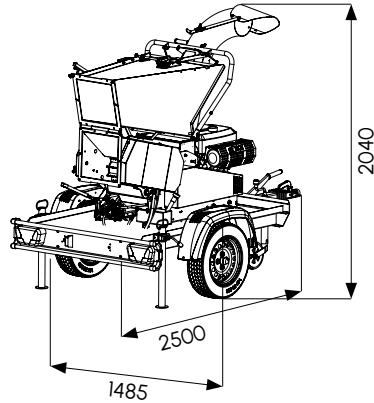
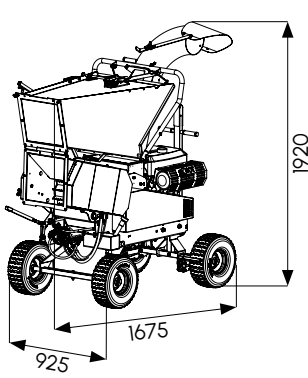
## for tractor

For tractors starting from:  
**30 HP - 540 RPM**

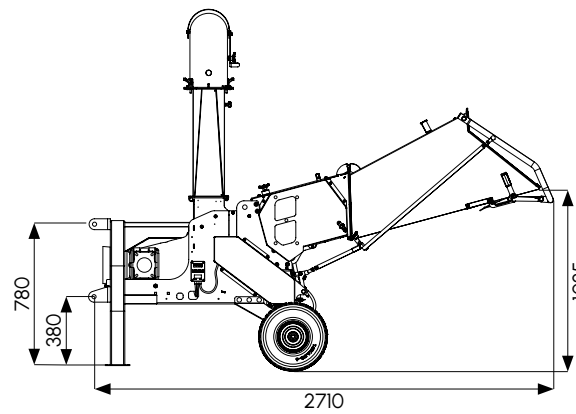
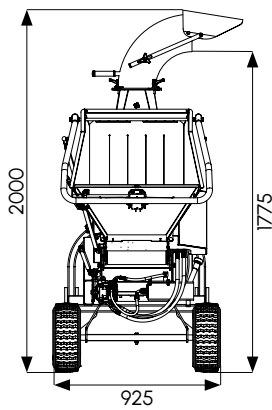
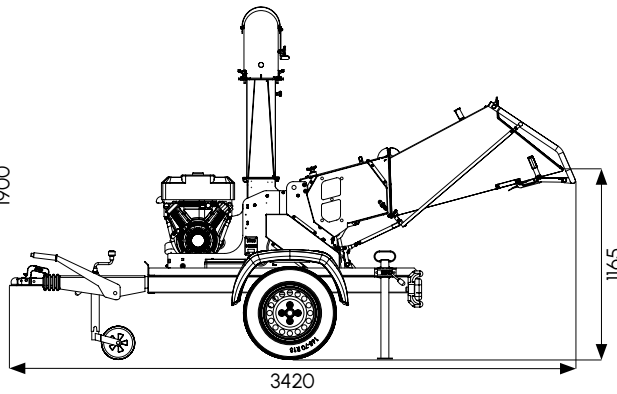
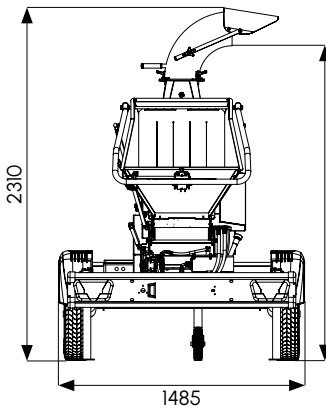
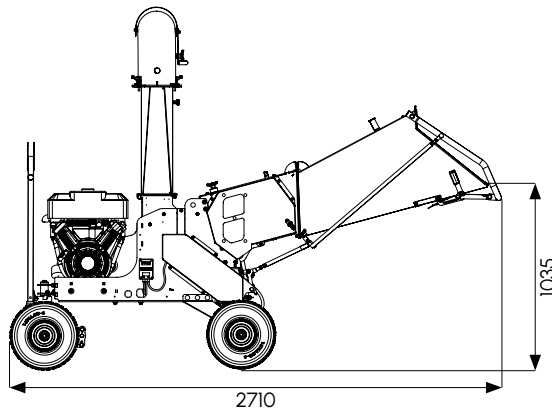
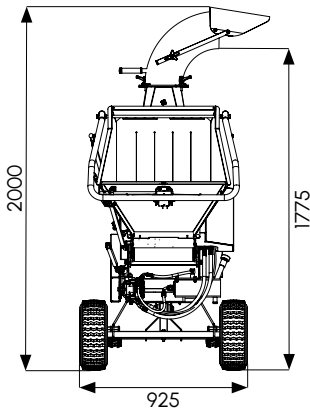
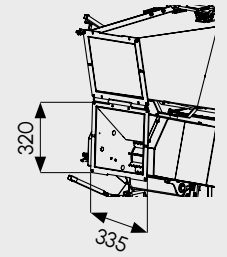


# dimensions

**Space management:** Zakandra has been designed considering the need to take up little space, in vans and storage. Hopper and discharge are closable.



## Dimensions at chipping point



## technical data

		ZA350-B & ZA350-B-AS	ZA350-B2-AS
<b>GENERAL INFORMATION</b>	Max chippable diameter	120 mm	120 mm
	Work configuration - dimensions	2710 x 900 x 1920 h mm	2710 x 900 x 1920 h mm
	Transport configuration - dimensions	1780 x 900 x 1750 h mm	1780 x 900 x 1750 h mm
	Weight	370 kg	380 kg
<b>ENGINE</b>	Type	Briggs & Stratton - Vanguard V-Twin	Briggs & Stratton - Vanguard V-Twin
	Power	18 HP	23 HP
	Displacement	Twin cylinder	Twin cylinder
	Cooling	Air cooled	Air cooled
	Start up type	Electric	Electric
	Fuel type	Gasoline	Gasoline
<b>CUTTING SYSTEM</b>	Type	Drum system	Drum system
	Blades - number	2+2 knives + fixed counterknife	2+2 knives + fixed counterknife
	Blades - materials	Core hardened steel	Core hardened steel
	Transmission	Double belt with centrifugal clutch	Double belt with centrifugal clutch
	Width	335 mm	335 mm
<b>FUEL SYSTEM</b>	Roller	Hydraulic	Hydraulic
	Diameter	190 mm	190 mm
	No-stress device	No for Za350-B Standard for ZA350-B-AS	Standard
	Plumbing	Fixed flow pump with electromechanical flow controller	Fixed flow pump with electromechanical flow controller
<b>LOADING HOPPER</b>	Dimensions (at chipping point)	335 x 270 mm	335 x 270 mm
	Dimensions infeed hopper	690 x 550 mm	690 x 550 mm
	Dimensions increase infeed hopper	1200 x 880 mm	1200 x 880 mm
<b>DISCHARGE</b>	Type	360° rotation	360° rotation
	Control	Adjustable	Adjustable
<b>HANDLING SYSTEM</b>	Wheels number	4	4
	Type	Pneumatic	Pneumatic
<b>OPTIONAL</b>	Increasehopper kit "TL"	✓	✓
	Refining sieve	✓	✓
	Raised exhaust chute	✓	✓

## technical data

		ZA350-E	ZA350-T & ZA350-T-AS
<b>GENERAL INFORMATION</b>	Max chippable diameter	120 mm	80/120 mm (a seconda del trattore utilizzato)
	Work configuration - dimensions	2710 x 900 x 1920 h mm	2560 x 900 x 1920 h mm
	Transport configuration - dimensions	1780 x 900 x 1750 h mm	1780 x 900 x 1750 h mm
	Weight	343 kg	330 kg
<b>ENGINE</b>	Type	-	Per PTO
	Power	400 Volt - 12,5 HP	Starting from 30 HP - 540 rpm
	Displacement	-	-
	Cooling	-	-
	Start up type	Electric	-
	Fuel type	-	-
<b>CUTTING SYSTEM</b>	Type	Drum system	Drum system
	Blades - number	2+2 knives + fixed counterknife	2+2 knives + fixed counterknife
	Blades - materials	Core hardened steel	Core hardened steel
	Transmission	Double belt	2V drive belts and centrifugal clutch
	Width	335 mm	335 mm
<b>FUEL SYSTEM</b>	Roller	Hydraulic	Hydraulic
	Diameter	190 mm	190 mm
	No-stress device	Standard	No for Za350-T/Standard for ZA350-T-AS
	Plumbing	Fixed flow pump with electromechanical flow controller	Fixed flow pump with electromechanical flow controller
<b>LOADING HOPPER</b>	Dimensions (at chipping point)	335 x 270 mm	335 x 270 mm
	Dimensions infeed hopper	690 x 550 mm	690 x 550 mm
	Dimensions increase infeed hopper	1200 x 880 mm	1200 x 880 mm
<b>DISCHARGE</b>	Type	360° rotation	360° rotation
	Control	Adjustable	Adjustable
<b>HANDLING SYSTEM</b>	Wheels number	4	4
	Type	Pneumatic	Pneumatic
<b>OPTIONAL</b>	Increase hopper kit "TL"	✓	✓
	Refining sieve	✓	✓
	Raised exhaust chute	✓	✓

# KOLISFERA

## Electric crawler chipper

Cutting up to 10 cm (3,94 Inch)



**NEW!**



**Wood chipper for gardeners, professionals and rental companies**

- on electric track
- with electric roller
- drum cutting system
- also suitable for cutting the pruning of palm
- no-stress EVO system

# » **Strenghts**



- › **Easy movement on the working site**, ability to reach even steep areas
- › **Easy loading and unloading** from vans
- › **Small dimensions**, you can load it even on small vans (with lowered exhaust, the movements are easy)
- › **A single motor** for: drive track and chipper, to achieve stability, motion and driving sensitivity, low centre of gravity, lower fuel consumption, and reduced maintenance
- › Hydraulic track with **speed up to 2.5 km/h**
- › **Weight:** kg 550 (Track version)
- › **Efficient 14 HP Vanguard engine**
- › **Cut wood and brush up to 10 cm** (inch 3,94). Cut plant pruning and fibrous material such as palm
- › **Colour display** with all machine functions and any error messages
- › **Easy access** to the cutting chamber in total safety and **security** for the operator
- › **Periodic maintenance displayed on screen**
- › High sensitivity **electronic joysticks** (for machine handling)

The Kolisfera chipper is designed to **last over time** and with a view of **easy maintenance**. Only a few components are subject to wear.



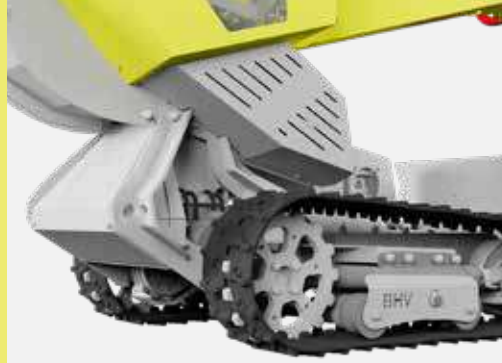
**PERFECT  
FOR THE  
RENTAL**

## safety

Agrinova, with **over thirty years of experience** has taken all the measures that ensure the operator to work in complete safety.



Double flexible and transparent PVC panel as **splinter protection**



Great stability thanks to **quality tracks produced in Italy**.  
Track 870 mm.



**Stop/reserve and start/restart** buttons

## comfort



**Anti-clogging system:** has a large discharge system that remains wide throughout the extension, avoiding bottlenecks that block the material in an outlet bottle neck.

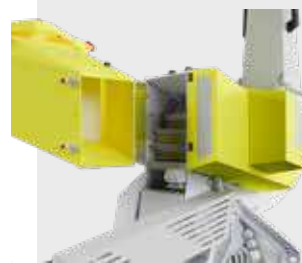
Thanks to the volume of air generated by the rotation of the cutting system, **Kolisfera is able to easily discharge almost all types of shredded material** even if particularly wet or leafy, minimizing clogging and machine stoppages.



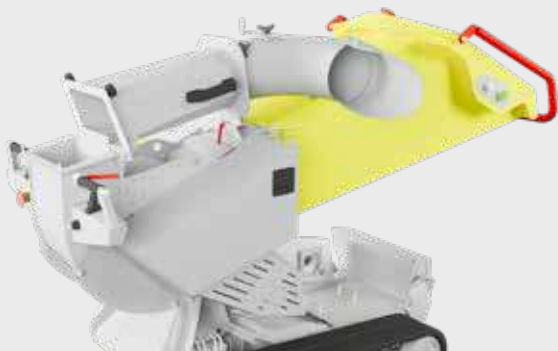
**Controls by 2 electronic joysticks** that allow separate control of the left and right track with high sensitivity



**The speed of the feed roller** can be adjusted by pressing the appropriate buttons on the display



**Easy access to the engine** for maintenance and refueling



With the exhaust lowered, **displacements are facilitated.**



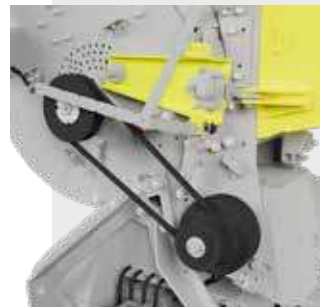
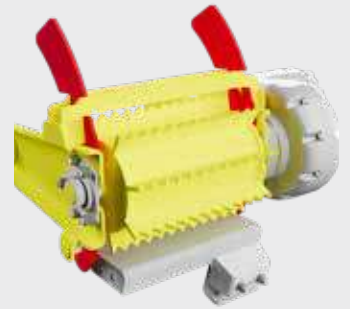
**Maximum width 0.89 m:** Kolisfera is designed to be moved easily even on narrow paths.



**No-stress EVO system:** it aims to preserve the engine from excessive stresses caused by cutting materials of large diameters, very hard, leafy, wet and requiring a lot of power. The LCD display shows the counters for the cutting machine, the heat engine and the electric crawler undercarriage.



The **two toothed rollers**, driven by a pair of hydraulic motors, ensure the feeding into the cutting room of heavy logs and leafy. **The speed is adjustable** by a knob on the machine.



The centrifugal clutch allows the engine to **start without the cutting flywheel load.**

**Easy access to the cutting chamber:** designed for quick and safe access.



## **LCD DISPLAY WITH HOUR COUNTER**

**useful in case of rental of the vehicle.**

# ZENIA

## Chipper

Cutting up to 7 cm



### Bio chipper Zenia serie Evolution

- **available version:** petrol engine; tractor pto
- **handling system:** on 2 pneumatic wheels with mudguard and tow hook
- **packaging:** 1 box on pallet (124 x 81 h 110 cm); 1 complete pallet with 2 boxes (124 x 81 h 234 cm); **pto version: 124 x 81 h 116 cm**

# why choose **ZENIA**

Its main feature is **ease of use**.  
Its principle strength is the **excellent cutting system**.



## strenghts



### **(NEW) Cutting system:**

On a front disc of 34 cm in diameter and 10 mm thick, 2 10 cm long knives are mounted, which provide a first reduction in material to be crushed.



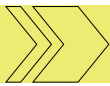
At the rear, two sets of hammers, 12 in total, are mounted, which have the function of **deflecting and further reducing the material to be crushed**. Two blades placed on the back of the cutting disc have the function of **creating air and push the shredded material out of the machine through the tube**.

- › **Tow hitch:** for easy moovment
- › **Exhaust Pipe:** choose the version you need by height
- › **Discharge:** standard discharge ride height 125 cm; Exhaust optional ride height 187 cm
- › **Discharge chute:** rotatable through 360 ° to select the output direction of the wood chips
- › **Double belt transmission:** The transmission of power between the motor and the cutting disc is a double trapezoidal belt that allows an excellent level of rotation fluidity and high motor protection. If the cutting disc is blocked, the belt drive protects against damages and cracks in the crankshaft

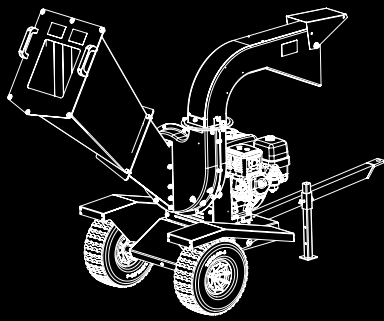


## **A SIMPLE AND RELIABLE SHREDDER**

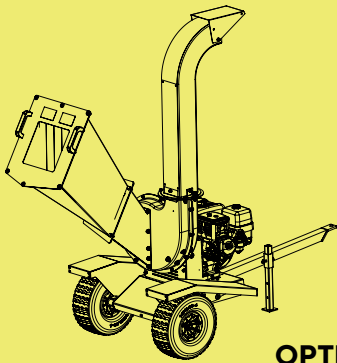
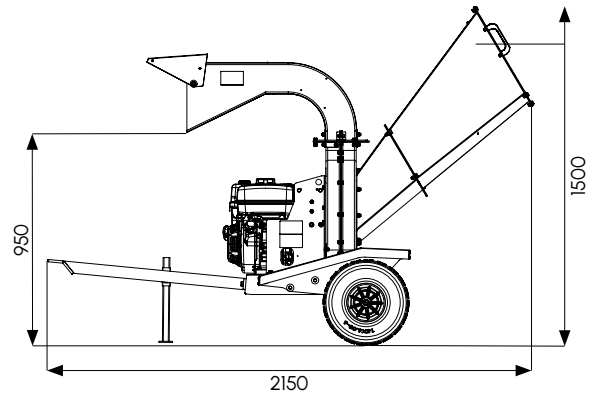
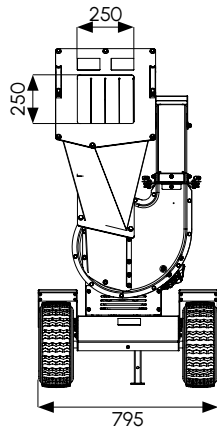
deal for work on small farms and agriturismo sites.



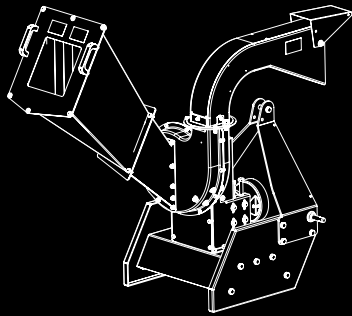
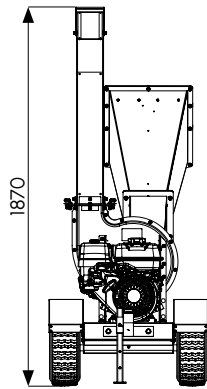
# dimensions



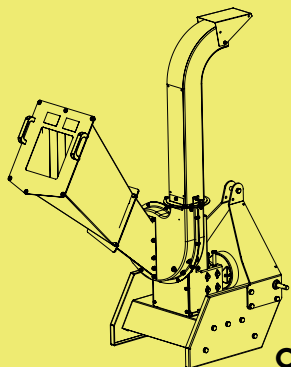
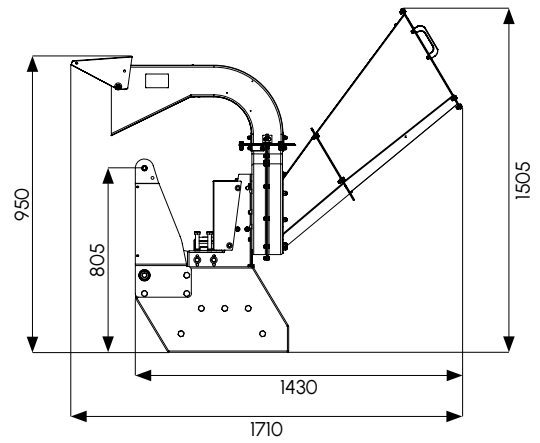
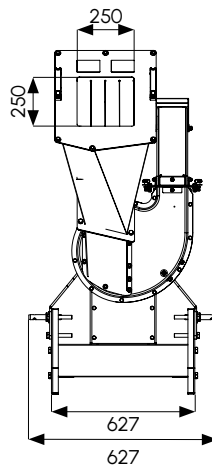
**STANDARD VERSION**



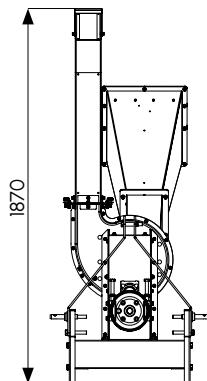
**OPTIONAL**



**TRACTOR VERSION**



**OPTIONAL**



## technical data

		<b>ZE400</b>	<b>ZE413-H</b>	<b>ZE400-T1</b>
<b>GENERAL INFORMATION</b>	Max chippable diameter	60-70 mm	60-70 mm	60-70 mm (depending on tractor power)
	Dimensions	2150 x 800 x 1500 h mm	2150 x 800 x 1500 h mm	2150 x 800 x 1500 h mm
	Weight	134 kg	134 kg	131 kg
<b>ENGINE</b>	Type	Briggs & Stratton serie 1450	Honda GX390	Per P.T.O
	Power	9 HP	13 HP	Starting from 16 HP - 540 RPM
	Start up type	Recoil start	Recoil start	-
	Fuel type	Gasoline	Gasoline	-
<b>CUTTING SYSTEM</b>	Type	Disc	Disc	Disc
	Blades - number	2 knives + 14 hammers and blowing blade	2 knives + 14 hammers and blowing blade	2 knives + 14 hammers and blowing blade
	Blades - materials	Tempered steel	Tempered steel	Tempered steel
	Transmission	Double belt	Double belt	Multiplier + Double belt
<b>DISCHARGE</b>	Type	360° rotation	360° rotation	360° rotation
	Standard exhaust chute	125 cm (discharge ride height)	125 cm (discharge ride height)	125 cm (discharge ride height)
<b>HANDLING SYSTEM</b>	Wheels number	2	2	-
	Type	Pneumatic	Pneumatic	-
<b>OPTIONAL</b>	Hopper kit enlarged "TL"	187 cm (discharge ride height)	187 cm (discharge ride height)	187 cm (discharge ride height)



### ZENIA ZE400-T1

For tractors starting from 16 HP, 540 RPM

# ZARA

## Chipper

Cutting up to 7 cm



### Bio chipper Zara light with low centre of gravity

- puncture free wheels and handle
- packaging: 1 box on pallet (95 x 64 h 138 cm)

# why choose **ZARA**

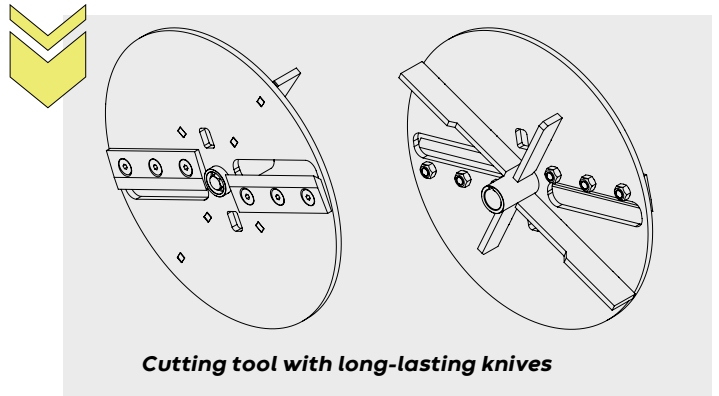


Optional pulling handle

## strenghts



**Cutting rotor:** a 376 mm cutting disk is provided with 4 plates to generate the necessary airflow to discharge the chipped material.



**Cutting tool with long-lasting knives**

It is equipped with **2 cutting blades**, made of the same high-quality material used for all the Agrinova machines. **Durable performance over time and a precise, easy cut**, even with the most challenging materials to shred, including wet and fibrous material.

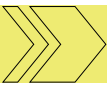
- **Able to chip/shred any type of garden waste** up to 7 cm in diameter. Great performance with dry, green branches and fibrous material like the palm tree branches
- **Sieve (optional)** it is at the base of the output port and designed to provide homogeneous finished product
- **Large feeding hopper:** to accept bushy garden waste and large amount of foliage and the feeding hopper is designed with a unique angle to the cutting blade to produce an auto-feeding effect, with least operator intervention
- **High Discharge:** The discharge chute is sufficiently high to discharge the chipped material into a small trailer. A convenient mobile end plate deflector, will direct the discharged material to the most convenient area
- **Handling:** designed with the necessary reinforcements to keep the total weight low, without compromising durability. A characteristic that makes Zara very easy to handle
- **Easy Maintenance:** Designed to easily access to the cutting disk by removing a minimum number of bolts

## LIGHT WEIGHT, STRENGTH AND MANOEUVRABILITY

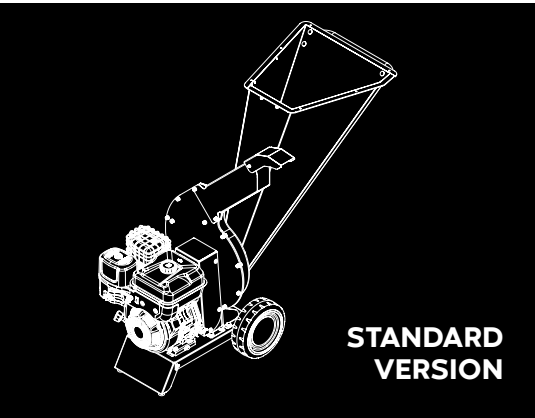
A powerful chipping/shredding machine to clean big volumes of green in small gardens.

The **double V belt** provides the necessary traction to the cutting disk and at the same time act as a **shock absorber to the motor** main shaft in the event the garden waste gets stuck during operation.

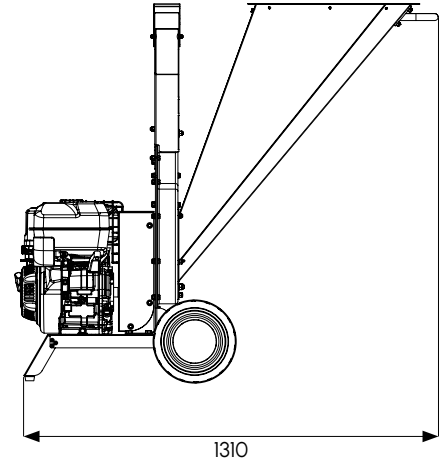
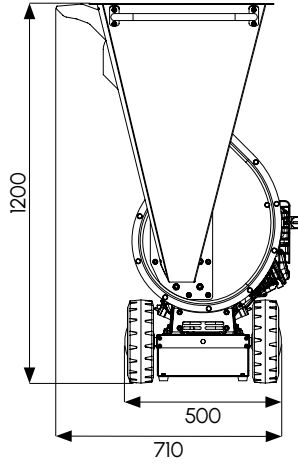
The machine is equipped with two 26 cm diameter wheels for easy maneuverability. They are made of puncture-proof technopolymer, allowing the machine **to be used on all types of terrain**.



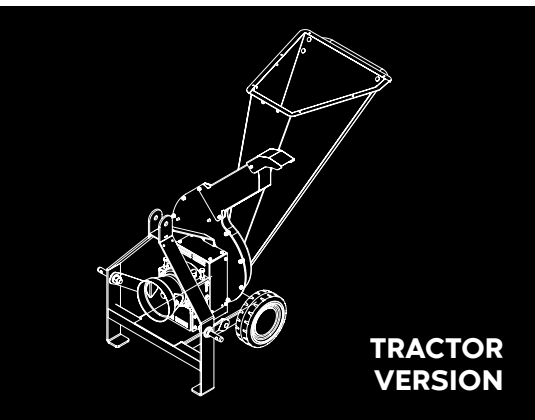
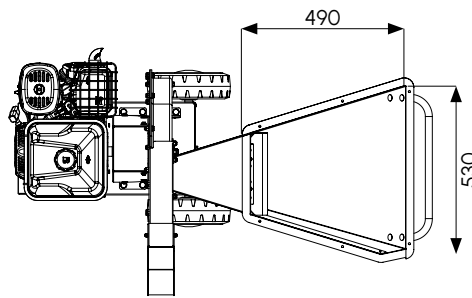
# dimensions



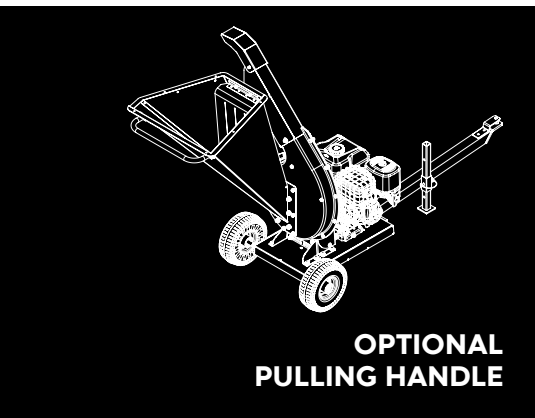
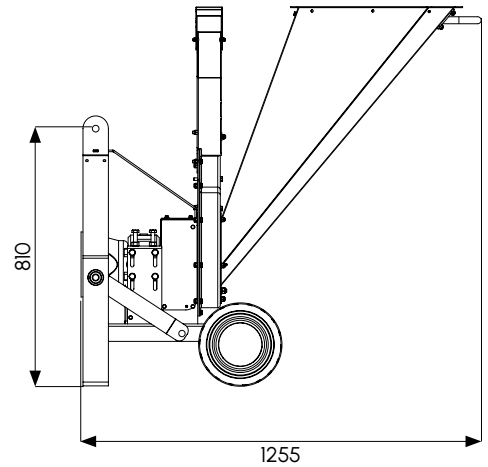
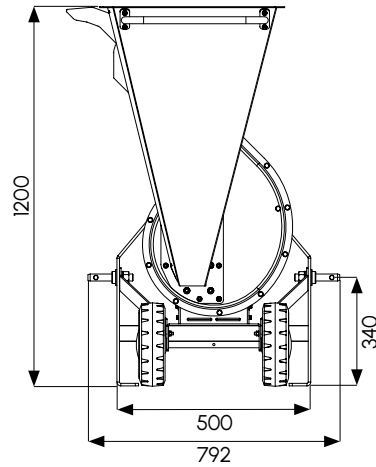
**STANDARD  
VERSION**



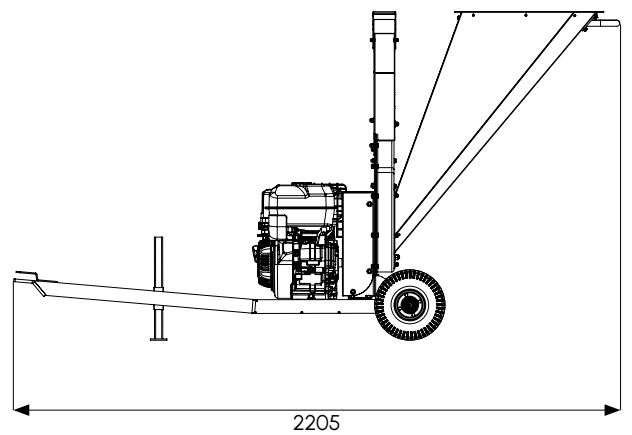
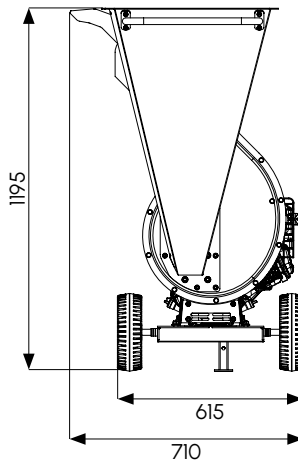
## OPTIONAL



**TRACTOR  
VERSION**



**OPTIONAL  
PULLING HANDLE**



## technical data

		ZR80B	ZR80H	ZR80-T
<b>GENERAL INFORMATION</b>	Max chippable diameter	70 mm	70 mm	70 mm
	Dimension (box)	2150 x 800 x 1500 h mm	2150 x 800 x 1500 h mm	2150 x 800 x 1500 h mm
	Weight	95 kg	95 kg	95 kg
	Sieve for regular crushing	✓	✓	✓
<b>ENGINE</b>	Type	Briggs & Stratton serie 1450	Honda GX390	Per P.T.O
	Power	9 HP	9 HP	Starting from 16 HP - 540 RPM
	Start up type	Recoil start	Recoil start	-
	Fuel type	Gasoline	Gasoline	-
<b>CUTTING SYSTEM</b>	Type	Knives	Knives	Knives
	Blades - material	Core hardened steel	Core hardened steel	Core hardened steel
	Transmission	Belt	Belt	Belt
<b>LOADING HOPPER</b>	Max dimensions infeed hopper	510 x 505 h mm	510 x 505 h mm	510 x 505 h mm
<b>DISCHARGE</b>	Type	Pivoting	Pivoting	Pivoting
<b>HANDLING SYSTEM</b>	Wheels number	2	2	2
	Type	Puncture free wheels	Puncture free wheels	Puncture free wheels
	Diameter	260 mm	260 mm	260 mm

<b>OPTIONAL</b>	Pulling handle	✓	✓	✓
-----------------	----------------	---	---	---



ZARA ZR80-T

# ZOE

## Shredder

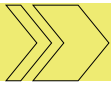
Cutting up to 5,5 cm



### A robust shredder for working in the garden and orchard

- **puncture free wheels** and handle for easy movements
- **packaging:** 1 box on pallet (700 x 650 h x 900 cm); 1 pallet with 4 boxes (133 x 800 h x 1740 cm)

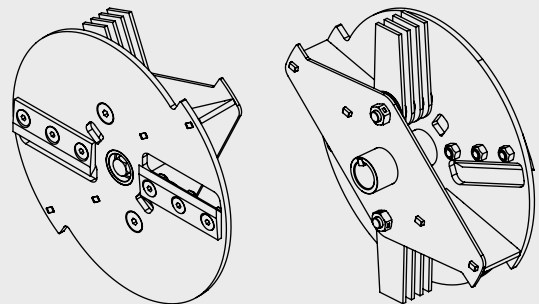
# why choose **ZOE**



## strenghts



**Cutting system:** on a 6 mm thick disc, two hardened 10 cm front knives are mounted. On the back, there are eight hammers that break down the material, accelerating the decomposition process.



**Cutting system with hardened high strength knives**

**Two counter-blades:** one radial and one axial, working together to ensure **uniform wood chip** size and optimal engine power usage during shredding.

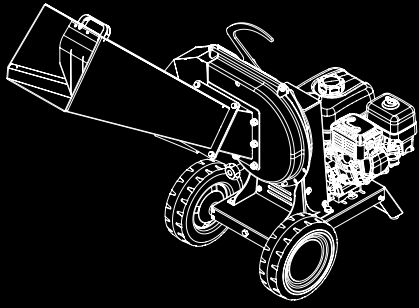
- **Large 25 x 25 cm hopper opening.** It allows for easy pruning input (even for leafy hedges without the need to thin them out first)
- **Sieve:** fixed near the chamber; it controls the size and uniformity of the chipped material. It can be opened manually, tool-free, to maximize productivity
- **Large material discharge**
- **Engine with oil alert,** a device that stops the engine when oil is low, ensuring machine preservation and safe use for third parties (e.g., for rental purposes)
- **No plastic parts**
- **Belt transmission system:** protects the engine from the stress of shredding, making this machine particularly robust and durable
- The sieve allows adjustment of the output **to obtain chips in the ideal size** for feeding various biomass boilers or producing fine wood chips



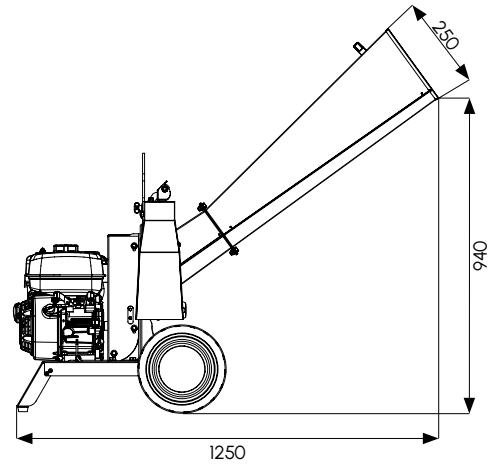
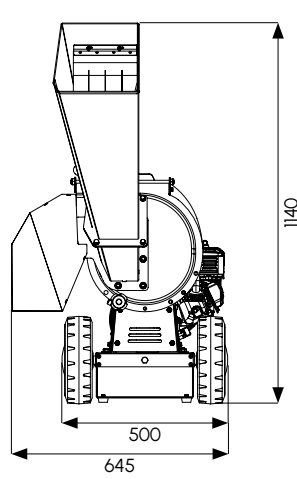
## **EASY PRUNING WITH NO PLASTIC PARTS**

**parts** The ideal machine for shredding hedge clippings, orchard, and garden pruning.

# dimensions



**STANDARD VERSION**



**Easy to carry even with small size cars**



**Example of woodchips with Zoe**



*For soil care in your garden*



*For shredding hedge leaves*



*For shredding orchard prunings*



**The resulting chips are perfect as mulch (for synergistic gardens, organic and biodynamic farming) and for compost production.**

## technical data

		ZA50B2-V	ZO50H4-V
<b>GENERAL INFORMATION</b>	Max chippable diameter	50-55 mm	50-55 mm
	Work configuration - dimensions	640 x 1250 x 1550 h mm	640 x 1250 x 1550 h mm
	Dimensions (pallet)	(4 boxes) 1330 x 800 x 1740 h mm	(4 boxes) 1330 x 800 x 1740 h mm
	Weight	60 kg	60 kg
	Sieve for regular grinding	✓	✓
<b>ENGINE</b>	Type	Briggs & Stratton serie 950 <b>Cod. ZO50B2</b>	Honda GP200 <b>Cod. ZO50H4</b>
	Power	6,5 HP	5,5 HP
	Start up type	Recoil start	Recoil start
	Fuel type	Gasoline	Gasoline
<b>CUTTING SYSTEM</b>	Type	Disc	Disc
	Blades - number	2 knives + 8 hammers	2 knives + 8 hammers
	Blades - material	Core hardened steel	Core hardened steel
	Transmission	Belt	Belt
<b>HANDLING SYSTEM</b>	Wheels number	2	2
	Type	Puncture free wheels	Puncture free wheels
	Diameter	260 mm	260 mm

**DEBRIS LOA**

**LAWN LITTER**



**ADER &**

**ER**



# OLYSSE

## Debris loader

Olysse has been designed to meet the needs of **municipal, utility companies that deal with road, highway and park cleaning.**



**Employers of Agrinova technical office, will assist you on the planning the apply of Vacuum on your truck.**



### To be applied on

- agricultural trailer
- compactor truck, dump truck, tanks

## features



**Transmission:** double belt transmission and centrifugal clutch

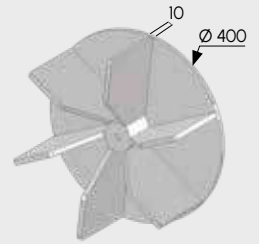


**Tube:** lightweight, flexible polyurethane with a coiled, antistatic spiral ramata. Length of choice:  
 A) 5 m -  $\varnothing$  200 mm standard  
 B) 10 m-  $\varnothing$  200 mm optional

**With ergonomic handle; Comfortable tube holder** with one wheel (standard) or with two (optional) wheels, code AS8009.

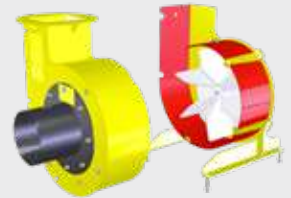
**Impeller:**

- $\varnothing$  400 mm
- 6 blades of 10 mm thickness and 155 mm height



**Engagement:** suitable for many kinds of side (customized on request)

**Housing:** steel dual-walled easy to remove

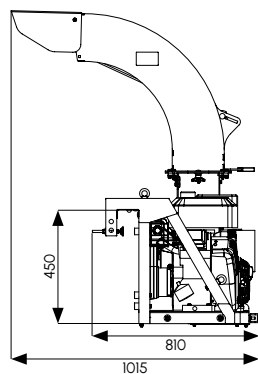
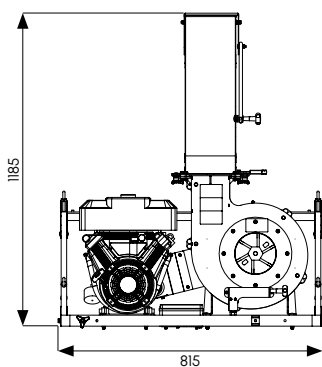


**Motor:** Powerful electric-start Briggs & Stratton Vanguard 18 hp engine

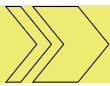
**Discharge hose:** 360° Swivelling; adjustable deflector with handlelabile



## dimensions



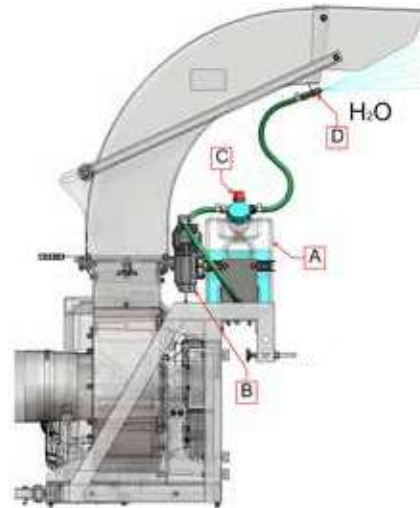
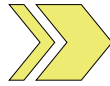
**Weight:**  
170 Kg



**optional**



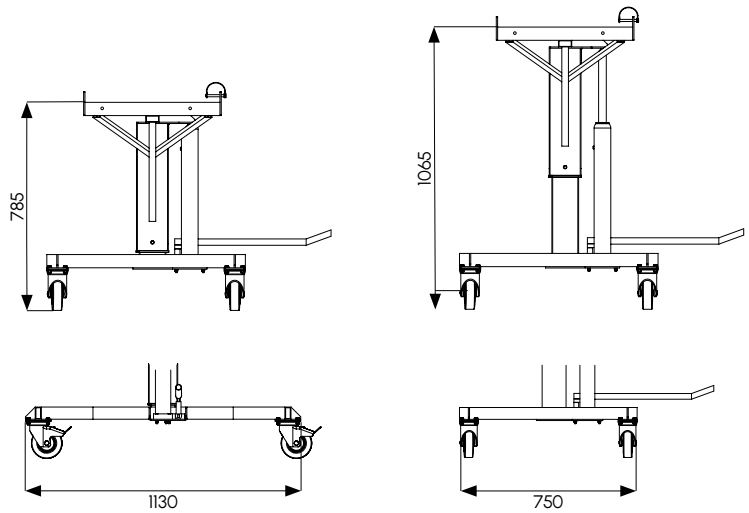
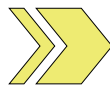
**COD. OL1300**  
Humidifier kit for dust suppressions



- A** Serbatoio d'acqua
- B** Pompa acqua con interruttore on/off
- C** Regolatore di portata
- D** Ugello



**COD. OL950**  
Manual hydraulic forklift for the lifting and coupling of the side Olysse



## **New optional**

### **Adjustment on eight positions**

Kit hose holder circular section  
diametre 180 mm with 2 wheels  
**cod. As8009**

## dati tecnici

		OL13	OL18
<b>GENERAL INFORMATION</b>	Dimensions	1708 x 1093 x 1900 h mm	1708 x 1093 x 1900 h mm
	Weight	170 kg	170 kg
<b>ENGINE</b>	Type	Briggs & Stratton - Vanguard	Briggs & Stratton - Vanguard
	Power	13 HP pullstart	18 HP pullstart
	Displacement	V-Twin	V-Twin
<b>IMPELLER</b>	Diameter	400 mm	400 mm
	Blades	6	6
	Blades - thikness	10 mm	10 mm
	Steel dual-walled	✓	✓
	Safety system with micro-switch	✓	✓
<b>HOSE</b>	Diameter	200 mm	200 mm
	Length	5 m	5 m
	Material	Polyurethane	Polyurethane
	Hose-holder bar	✓	✓
<b>DISCHARGE</b>	Adjustable	360°	360°
<b>TRANSMISSION</b>	Double belt transmission and centrifugai clutch	✓	✓

<b>OPTIONAL</b>	Kit humidifier	OL1300
	Manual hydraulic forklift	OL950
	Kit hose holder with 2 wheels	AS8009
	Kit hose holder squeezed section with 2 wh eels, for hose 180 mm diameter, 35 cmwidth	AS81SC
	Street chassis	Contact us for information



Also available on homologable street chassis (street chassis model of your choice)

# OTTO

## Debris loader

Otto is a debris loader suitable for cleaning and vacuuming leaves, grass, and light debris from **parking lots, parks, campsites, streets, and courtyards**. Ideal for outfitting compactor vans, it is perfect for urban hygiene and quick clean-ups after events (concerts, carnivals, public gatherings, markets).



**Employers of Agrinova technical office, will assist you** on the planning the apply of Vacuum on your truck.

## features



**Tie hook and lift handle:** Suitable for many types of tail gates (customizable on request)



**Discharge:** 360° swivel; adjustable deflector



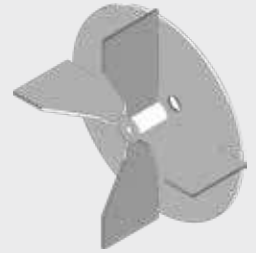
**Hose:** polyurethane hose for lightweight, flexibility and excellent wear resistance

- **Polyurethane hose for lightweight,** flexibility and excellent wear resistance
- **length** 5m - ø 180 mm
- **with copper spirai** guarantees antistatic properties
- hose support with **1 wheel** (standard) and with two wheels code AS8004

### Impeller:

- Ø 330 mm
- 4 blades 4 mm thickness

The **OT8 model**, the impeller is connected directly to the motor shaft, while for the OT8 / H and OT8 / H2 models, the transmission is belted

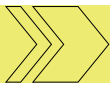


**Coated chain and collar support:** swivel arm hooked to the chassis frame designed to hold the suction pipe almost weightless for effortless operation

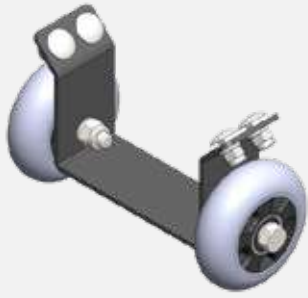
**Safety device:** limit switch to stop the impeller when the impeller shield is removed.



Base with **3 wheels**



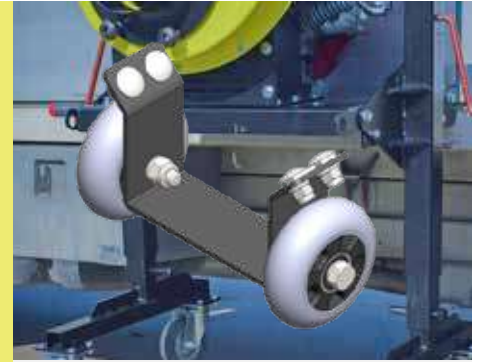
## optional



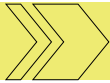
Kit hose holder circular section with 2 wheels **Cod. AS8004**



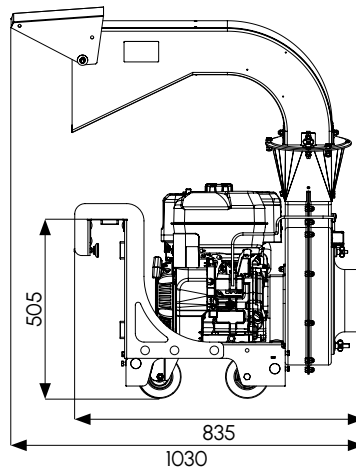
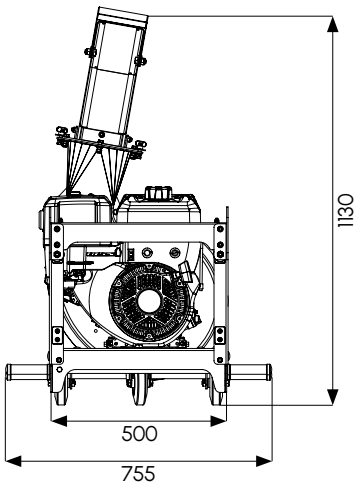
Steel dual-walled protection for housing **Cod: AS804**



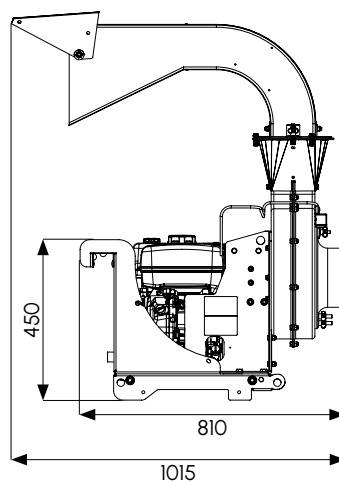
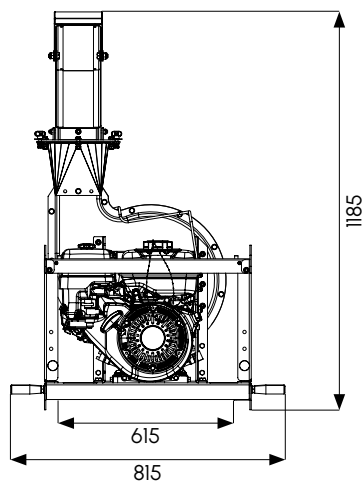
Lifting trolley with mechanical jacks. **Cod: DT490DS (per OT8B)**  
o **DT490CS (per OT8H)**



## dimensions



For models with engine **B&S**



For models with engine **Honda**

## technical data

		OT8B	OT8H
<b>GENERAL INFORMATION</b>	Dimensions (box)	800 x 750 x 870 h mm	800 x 750 x 870 h mm
	Weight	97 kg	105 kg
	Base with 3 wheels	✓	-
<b>ENGINE</b>	Type	Briggs & Stratton serie 1450	Honda GX270
	Power	9 HP	9 HP
<b>IMPELLER</b>	Diameter	330 mm	330 mm
	Blades - number	4 welded	4 welded
	Blades - thickness	4 mm	4 mm
	Safety micro switch	✓	✓
<b>HOSE</b>	Diameter	180 mm	180 mm
	Length	5 m	5 m
	Material	Poliuretanic	Poliuretanic
	Hose-holder bar	✓	✓
	Circular section extendable tube bras withawheel	✓	✓
<b>DISCHARGE</b>	Adjustable	360°	360°
<b>TRANSMISSION</b>		Direct	With double belt

<b>OPTIONAL</b>	Lift truck	DT490DS	DT490CS
	Kit hose holder circular section with 2 wheels	AS8004	AS8004
	Kit hose holder squeezed section with 2 wheels, for hose 180 mm diametre, 35 cm width	AS80SC	AS80SC
	Steel dual-walled protection for housing	AS504	AS804

## other versions



### Special Model

With special impeller to shred vacuumed material. Available only for the Honda models

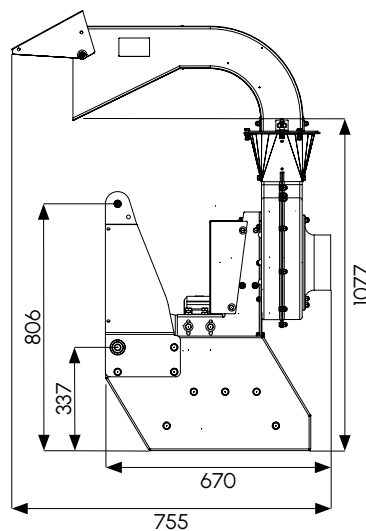
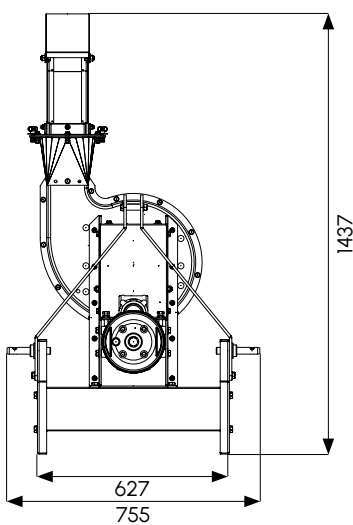


### Tractor model (pto)

With safety micro switch. To be connected to the 3 lifting points of 16 HP tractor at 540 rpm (16 or Higher)

*For the optional special version and tractor version, see the previous table.*

## dimensions



Model for tractor version

## technical data

### OT8-H2F

<b>GENERAL INFORMATION</b>	Dimensions (box)	800 x 750 x 870 h mm
	Weight	120 kg
	Base with 3 wheels	-
<b>ENGINE</b>	Type	Honda GX390
<b>IMPELLER</b>	Diameter	330 mm with special cutting system
	Blades - numbers	4 welded
	Blades - thickness	4 mm
	Safety system with micro-switch	✓
<b>HOSE</b>	Diameter	180 mm
	Length	5 m
	Material	Poliuretanic
	Hose-holder bar	✓
	Circular section extendable tube bras with a wheel	✓
<b>DISCHARGE</b>	Adjustable	360°
<b>TRANSMISSION</b>	With double belt	✓

### OT8-T1

<b>GENERAL INFORMATION</b>	Dimensions (box)	1240 x 810 x 1870 h mm
	Weight	120 kg
<b>ENGINE</b>		For tractor starting to 16 hp - 540 Rpm
<b>IMPELLER</b>	Diameter	330 mm
	Blades - numbers	4 welded
	Blades - thickness	4 mm
<b>HOSE</b>	Diameter	180 mm
	Length	5 m
	Material	Poliuretanic
	Hose-holder bar	-
	Circular section extendable tube bras with a wheel	✓
<b>DISCHARGE</b>	Adjustable	360°
<b>TRANSMISSION</b>	Made in Italy	Gear box with double belt

# OLGA

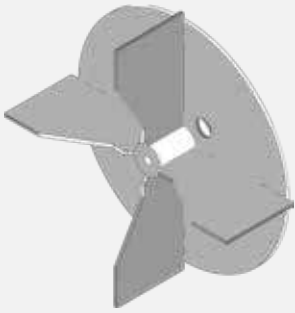
## Debris loader

Olga is a debris loader suitable for cleaning and vacuuming leaves, grass, and light debris from **parking lots, parks, campsites, streets, and courtyards**. Ideal for outfitting compactor vans, it is perfect for urban hygiene and quick clean-ups after events (concerts, carnivals, public gatherings, markets).



**Employers of Agrinova technical office, will assist you** on the planning the apply of Vacuum on your truck.

## features



**Impeller:** Ø 330 mm; 4 blades 4 mm thickness. The impeller is connected directly to the motor shaft.



**Hose:** polyurethane hose for lightweight, flexibility and excellent wear resistance. Length 5m - Ø 180 mm; copper coiled to eliminate static charges



**Tie hook and lift handle:** suitable for many types of tail gates (customizable on request)



**Safety device:** limit switch to stop the impeller when the impeller shield is removed

## optional



Lift truck: **code DT490DS**



Base with 3 wheels: **code OT120**



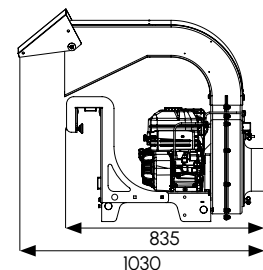
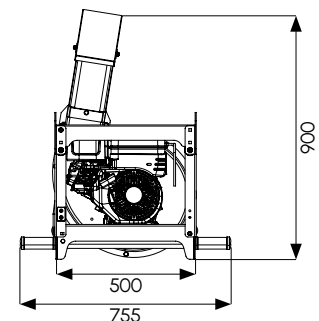
Kit hose holder squeezed section with 2 wheels, for hose 180 mm diameter, 35 mm width: **code AS80SC**

## technical data

### OLGA OT16B

<b>GENERAL INFORMATION</b>	Dimensions (box)	800 x 750 x 870 h mm
	Dimensions pallet (with 4 boxes)	800 x 1500 x 1870 h mm
	Weight	59 kg
	Base a 3 ruote	OPTIONAL cod. OT120
<b>ENGINE</b>	Base with 3 wheels	Briggs & Stratton serie 950
	Power	6,5 HP
<b>IMPELLER</b>	Diameter	330 mm
	Blades - number	4 welded
	Blades - thickness	4 mm
	Safety system with micro-switch	✓
<b>HOSE</b>	Diameter	180 mm
	Length	5 m
	Material	Poliuretanic
<b>DISCHARGE</b>		Fix
<b>TRANSMISSION</b>		Direct

## dimensions



# OSWALD

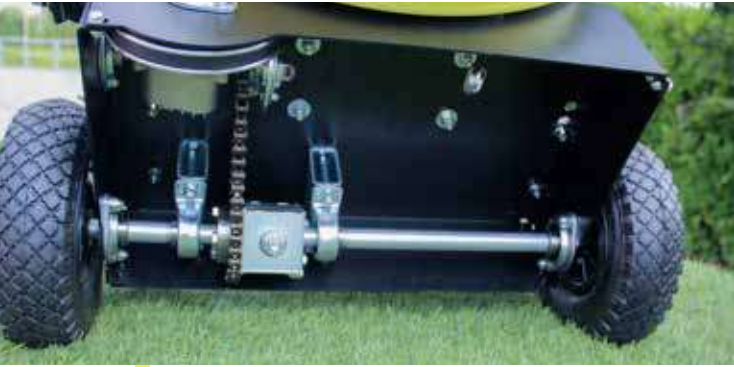
## Outdoor vacuum

Oswald equipped with optional becomes a complete **system for the cleaning of parks, gardens and roads.**



- ✓ HIGH PERFORMANCE
- ✓ LOW NOISE EMISSIONS

## features



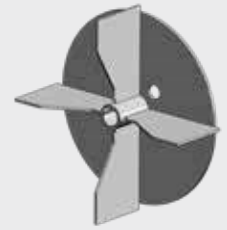
**Self-propelled differential:** the differential is used in this model to increase manoeuvrability: when steering, the right and left-hand wheels can turn at different speeds.



**Rear:** 2 pneumatic;  
**Front:** 1 pivoting (2 pivoting on brush version)



**Impeller:** with 4 x 4 mm steel radial blades.



**Housing obtained by pressing:** 2 mm sheet metal.

**Suction mouth profile:** the profile of the polyethylene suction has been designed to facilitate the flow of leaves (inlet suction area: 700 x 90 mm).



**Top-loading of the bags:** to ensure full filling (230 lt capacity).

**Manual regulation of suction:** adjustable on 6 levels



## OSWALD IS PERFECT

for vacuuming leaves, pine needles, pine cones and light waste.

## other versions



### Side brush in "SL-Version"

The side brush allows a larger cleaning, offering better performances of the machines, reducing working times.

#### Features:

- Diameter 45 cm
- Bristles in 1 mm PPL



### Impeller with star-shaped knife "13 Version"

It is provided for those who have large amounts of leaves to suck up and want to optimize the capacity of the bag. The machine in this series have a star-shaped knife, which cut the leaves up before they enter the turbine. The use of this knife means that these units are **only suitable for suction of leaves** as the knife obstruct the passageway.

**NOTE:** suggested with OS13, the purchase of the Bag support trolley (AS450).

## operator safety



The micro-switch placed in correspondence of the suction mouth, makes secure **fast opening required for checks and maintenance.**

## optional

Make your oswald a suction system by choosing the **optionals that suit your needs.**

### **bags**



**AS978 powder dust cover** (dust dump)



**AS948 special bag** for easy suction of wet leaves



**AS958 bag (standard)** recommended in dry climates

### **suction hoses**



**AS91203** - Ø 180 mm  
**Hose in POLYURETHANE** Ø 180 | 5 m (very light and flexible).



**AS404** - Ø 100 mm  
**Hose in PVC** Ø 100 | 4 mt (not recommended for "version 13").

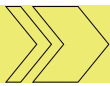
### **blower transformation kit**



**AS440** - composed of side exit nozzle and protection grid (not usable in models with side brush)



**AS51220** - consisting of - protection grille, special curve and PVC tube diameter 100 mm



## optional

### other kit



**AS65** - gravel kit  $\varnothing$  260 mm  
Gravel kit with pneumatic wheel  
(not usable in models with side  
brush).

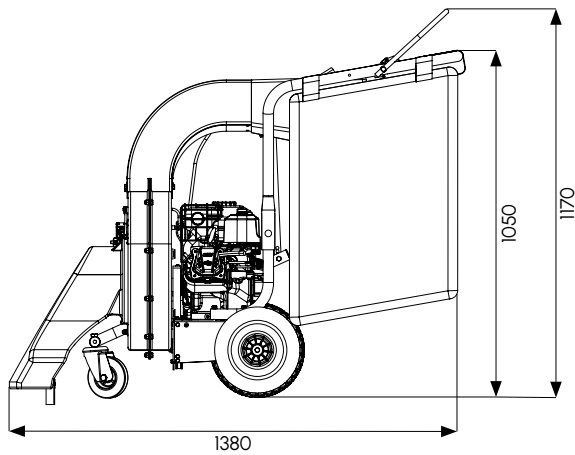
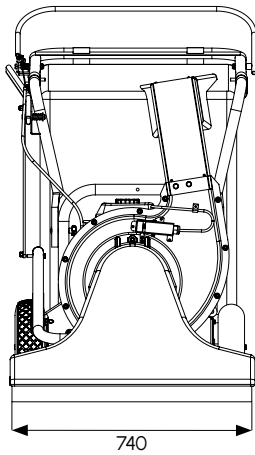


**AS455** - bag support trolley  
Recommended when vacuuming  
wet leaves, heavy material and  
with "version 13".

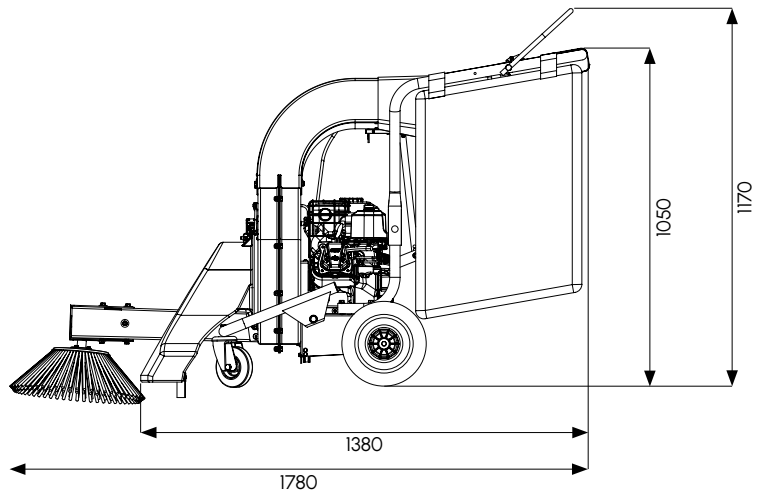
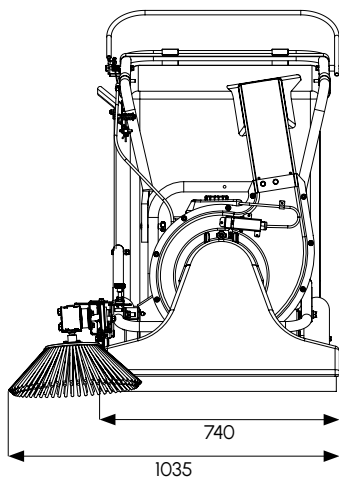
→ **code AS450 for  
Oskar model**



## dimensions



### With brush



## technical data

BASIC MODELS		OS10D3	OS10D2H
<b>GENERAL INFORMATION</b>	Dimensions (box)	790 x 690 x 720 h mm	790 x 690 x 720 h mm
	Dimensions pallet (with 4 boxes)	1400 x 800 x 1600 h mm	1400 x 800 x 1600 h mm
	Weight	71 kg (circa)	71 kg (circa)
	Plastic nozzle - dimensions	70 x 10 cm	70 x 10 cm
	Regulation of suction	On 6 positions	On 6 positions
<b>ENGINE</b>	Type	Briggs & Stratton serie 1450	Honda GX160
	Power	6,5 HP	5,5 HP
<b>IMPELLER</b>	Diameter	330 mm	330 mm
	Blades	4 radial steel 4 mm	4 radial steel 4 mm
	Safety micro-switch	✓	✓
<b>DISCHARGE</b>	Leaf discharge	At the top	At the top
	Bag	AS958	AS958
<b>HANDLING SYSTEM</b>	Self propelled	✓ With differential	✓ With differential
	Wheels	2 pneumatic + 1 pivoting	2 pneumatic + 1 pivoting

MODELS WITH - FRONTAL BRUSH "SL"		OS10D3 - SL	OS10D2H - SL
<b>GENERAL INFORMATION</b>	Weight	78 kg (about)	78 kg (about)
	With frontal brush	ø 450 mm - with belt transmission and steel gears	ø 450 mm - with belt transmission and steel gears
	Configuration	As OS10D3 (no the weight) with 2 pivoting wheels	As OS10D2H (no the weight) with 2 pivoting wheels

MODELS WITH- IMPELLER LEAF SHREDDER "13"		OS13D3	OS13D2H
<b>GENERAL INFORMATION</b>	Weight	73 kg	73 kg
	With leaf shredder	✓	✓
	Configuration	As OS10D3 (no the weight) with 2 pivoting wheels	As OS10D2H (no the weight) with 2 pivoting wheels

MODELS WITH - FRONTAL BRUSH "SL" AND LEAF SHREDDER "13"		OS13D3 - SL	OS13D2H - SL
<b>GENERAL INFORMATION</b>	Weight	78 kg	78 kg
	With frontal brush	ø 450 mm - with belt transmission and steel gears	ø 450 mm - with belt transmission and steel gears
	With leaf shredder	✓	✓
	Configuration	As OS10D3 (no the weight) with 2 pivoting wheels	As OS10D2H (no the weight) with 2 pivoting wheels

# OSKAR

## Vacuum leaf cleaner to push

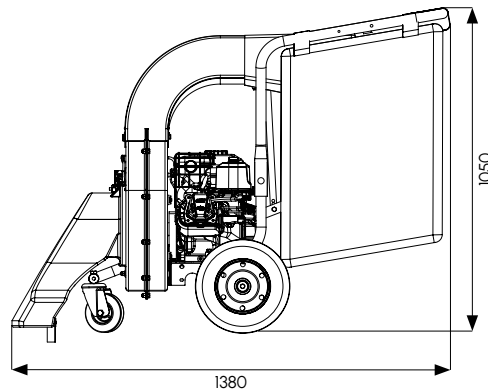
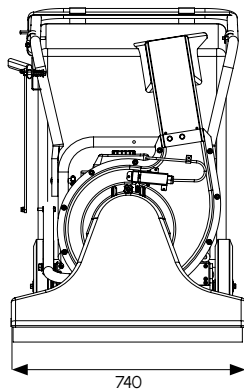
Oskar was created for cleaning parks and streets, despite the absence of a side brush and shredder.



## cleaning mission



## dimensions



## technical data

		OS10P
<b>GENERAL INFORMATION</b>	Dimensions (box)	790 x 690 x 720 h mm
	Dimensioni (pallet con 4 boxes)	1400 x 800 x 1600 h mm
	Weight	71 kg
	Polyethylene suction nozzle	70 x 10 cm
	Working height adjustment	On 6 positions
<b>ENGINE</b>	Type	Briggs & Stratton serie 950
<b>TURBINA</b>	Diameter	330 mm
	Blades - number	4
	Blades - thickness	4 mm
	Safety microswitch	✓
<b>TUBO</b>	Diameter	180 mm
	Lenght	5 m
	Material	Poliuretanic
<b>SCARICO</b>	Leaf discharge	At the top
	Bag capacity	230 l
<b>HANDLING SYSTEM</b>	Wheels	2 pneumatic + 1 pivoting
<b>OPTIONAL</b>		See Oswald optional



**POWER RAK  
SCARIFIER**

# KES & S



# JEREMY 95 CM

## Towed lawn scarifier

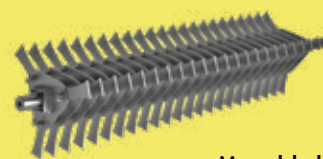
Long lasting blade with anti-wear thermal treatment



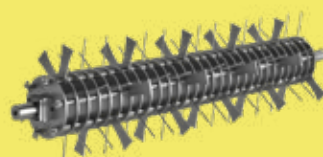
Composed the scarifier suitable for your lawn

Line for the maintenance of parks, gardens and football yard.

**For lawns and sports fields (95 cm)**



Movable knives



Spring and knives

**It's the construction details that determine the quality of Agrinova scarifiers.**

Agrinova knows that every lawn is different and should be treated according to its needs, so the scarifiers that it \ systems.

**The know-how** gained over many years of experience and comparison with the gardening sector experts led to the development of **different working systems, which allow us to treat with maximum efficiency any kind of lawn.**



## strenghts



## GOOD FOR RENTING

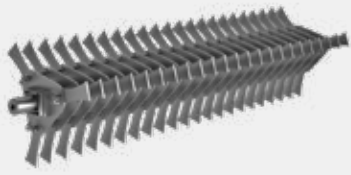
- › They are **handy but robust**
- › Professional engines that with **oil alert**
- › They have **quality belts**
- › They mounted wheels **with metal hub**
- › **Count-hours** on demand

- **The metal thickness** of the shell
- The types of **bearings**
- The type of **belts**
- The **type of steel chosen** to produce the cutting knives
- **Heat treatments to make them as strong and sharp** as long as possible and the wide range of types of machines, to meet the specific needs of the lawn to care.



## work system

### rotor shaft with movable knives



**System allowing:** verticutting, which performs a series of cuts in the soil from a recommended depth of half a cm; removal of felt by skimming the soil

#### Choice of blade thickness



**2,5 mm**  
(as standard)

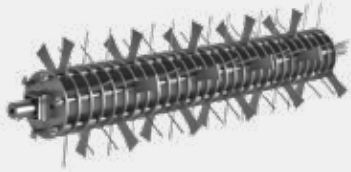


**1,2 mm**  
(on demand) for  
blade step 30 or  
40 mm

**Floating system:** if the blades hit an obstacle typically found in gardens (such as surface roots of plants, sprinkler heads, curbs, etc.), they do not get **damaged, as they rotate** around their center and return to their working position due to the **centrifugal force generated by the 3000 RPM rotation.**

**Speciale campo sportivo:** ideale per campo sportivo l'albero con coltelli flottanti ravvicinati (90 blades).

### shaft with springs and knives



This type of cutting system requires **little engine power, and** must be carried out at the lowest possible speed.

#### How to use

Often moss and felt accumulations are created on the lawn due to water stagnation and the constant presence of mowing left on the ground using the mulching system. Before aerating the grass roots and the first layer of soil, the felt layer must be cleaned.

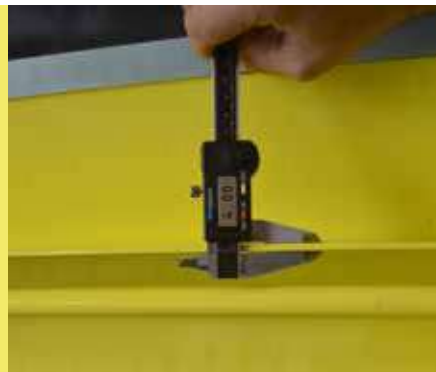
**The grass layer must be combed out superficially** using soft tips like those of a spring. However, since this is done at high speed, with considerable power provided by the internal combustion engine, it is necessary to give rigidity to the cutting system by interspersing the springs with movable knives.

**This prevents the system from pushing too hard on the spring stalks and thus preventing breakage.**

## construction details



**Double-belt** transmission.



**The shell is very robust:** 4 mm thickness - shell weight 35 kg.



**Balancing ballast:** to balance the motor weight on one side of the machine, there is a different one on the opposite side depending on the motor chosen.

## construction details



**B&S or Honda engine - Powerful and reliable** - Choice of 9 or 13 HP. Perfectly sized for these machines.



**The cutting system** is supported by two cast iron supports and two ball bearings. The grease nipple is easy to reach during maintenance.



**Soft rubber wheels that do not damage the grass** and semi-filled wheels that do not deflate or puncture. With ball bearings and mounted on a 20 mm diameter axle.



**Working height adjustment system:** from a seated position on the tractor/quad, by operating the lever, the machine can be raised so that the knives do not touch the ground.



**Adjustable drawbar hitch** for easy coupling to any type of tractor or quad bike.

## work system

### JEREMY

<b>GENERAL INFORMATION</b>	Working width	95 cm
	Dimensions (box)	1230 x 800 x 860 h mm
	Dimensions pallet	(2 boxes) 1230 x 800 x 1720 h mm
	Weight	127 kg (per <b>Cod.JU949</b> ) - 135 kg (per <b>Cod.JU950-H</b> )
	Bearings	Cast iron with supports
<b>ENGINE</b>	Type	Briggs & Stratton serie I450 - <b>Cod. JU949</b> Honda GX390 (13 HP) - <b>Cod JU950-H</b>
	Power	9 HP
<b>HANDLING SYSTEM</b>	Wheels	2 in anti-puncture rubber, mounted on ball bearings (on a 20 mm diameter axle)
<b>WORK SYSTEM</b>	Standard	rotor shaft with movable knives thickness 2,5 mm (step 40) (nr 69 blades) - <b>Cod AR945</b>
	Optional	rotor shaft with movable knives thickness 2,5 mm (step 30) (nr 90 blades) - <b>Cod AR946</b> Shaft with spring and blades (nr 29 blades + 58 springs) - <b>Cod AR947</b>
	Transmission	2 belts

# JEREMY 70 CM

## Power rake for tractor

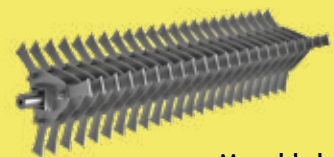
Long lasting blade with anti-wear thermal treatment



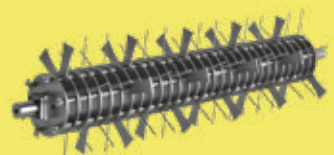
Composed the scarifier suitable for your lawn

Line for the maintenance of parks, gardens and football yard.

**For lawns and sports fields (70 cm)**



Movable knives



Spring and knives

It's the construction details that determine the quality of Agrinova scarifiers.

Agrinova knows that every lawn is different and should be treated according to its needs, so the scarifiers that it \ systems.

The know-how gained over many years of experience and comparison with the gardening sector experts led to the development of different working systems, which allow us to treat with maximum efficiency any kind of lawn.



## strenghts



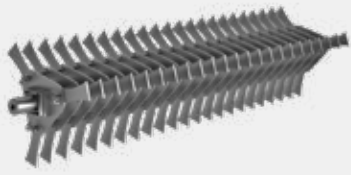
**GOOD FOR RENTING**

- The metal thickness of the shell
- The types of bearings
- The type of belts
- The type of steel chosen to produce the cutting knives
- Heat treatments to make them as strong and sharp as long as possible and the wide range of types of machines, to meet the specific needs of the lawn to care.



## work system

### rotor shaft with movable knives



**System allowing:** verticutting, which performs a series of cuts in the soil from a recommended depth of half a cm; removal of felt by skimming the soil

### Choice of blade thickness



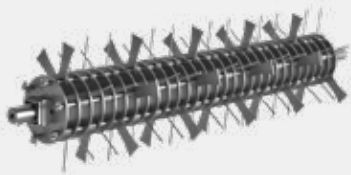
**2,5 mm**  
(as standard)



**1,2 mm**  
(on demand) for  
blade step 30 or  
40 mm

**Floating system:** if the blades hit an obstacle typically found in gardens (such as surface roots of plants, sprinkler heads, curbs, etc.), they do not get **damaged, as they rotate** around their center and return to their working position due to the **centrifugal force generated by the 3000 RPM** rotation.

### shaft with springs and knives



This type of cutting system requires **little engine power**, and must be carried out at the lowest possible speed.

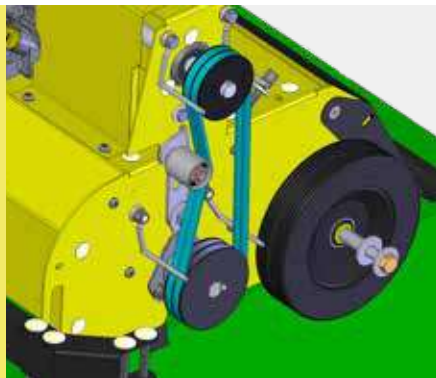
### How to use

Often moss and felt accumulations are created on the lawn due to water stagnation and the constant presence of mowing left on the ground using the mulching system. Before aerating the grass roots and the first layer of soil, the felt layer must be cleaned.

**The grass layer must be combed out superficially** using soft tips like those of a spring. However, since this is done at high speed, with considerable power provided by the internal combustion engine, it is necessary to give rigidity to the cutting system by interspersing the springs with movable knives.

**This prevents the system from pushing too hard on the spring stalks and thus preventing breakage.**

## construction details



**Double-belt** transmission.



**Central engine position** for optimum weight balance.



**2 front pivoting solid rubber wheels** with sheet metal rims.

## construction details



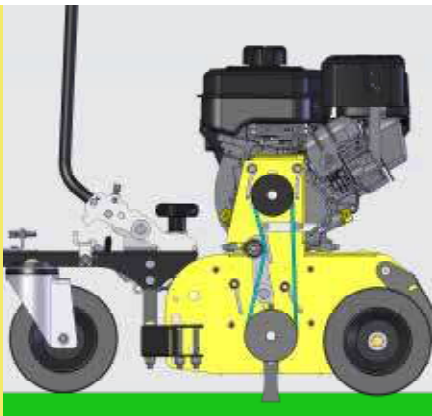
200 mm diameter solid rubber wheels with sheet metal rims.



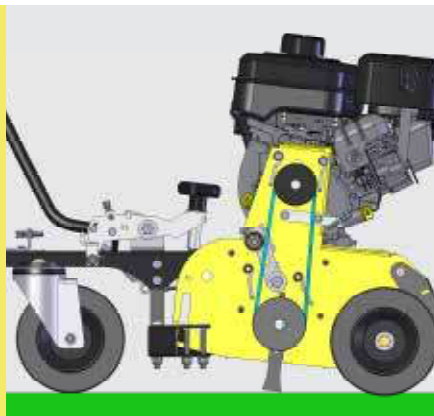
The cutting system is supported by two cast iron supports and two high-quality ball bearings.



Automatically operated lifting handle for the cutting system.



Belts in working position.



Belts in rest position.

## technical data

### JU70B2-T

<b>GENERAL INFORMATION</b>	Working width	70 cm
	Dimensions (box)	1230 x 800 x 860 h mm
	Dimensions pallet	(2 pallet boxes) 1230 x 800 x 1720 h mm
	Weight	68 kg
	Bearings	Cast iron with supports
<b>ENGINE</b>	Type	Briggs & Stratton series 950 - <b>Cod. JU70B2-T</b>
	Power	6,5 HP
<b>HANDLING SYSTEM</b>	Wheels	200 mm diameter rubber puncture-proof with metal rim. 2 fixed rear + 2 pivoting
<b>WORK SYSTEM</b>	Standard	Rotor shaft with movable knives thickness 2,5 mm (step 40) (nr 48 blades) - <b>Cod AC700</b>
	Optional	Shaft with spring and blades (nr 21 blades + 44 molle) - <b>Cod AL71</b>
	Transmission	2 belts

# JULIO

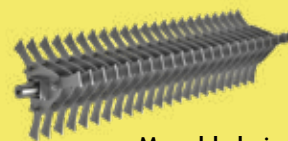
## Power rake

Long lasting blade with anti-wear thermal treatment

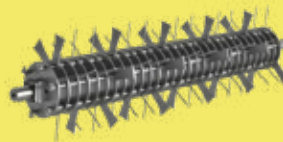


Composed the scarifier suitable for your lawn

Line for the maintenance of parks, gardens and football yard.



Movable knives



Spring and knives



Fixed knives



**NEW!**

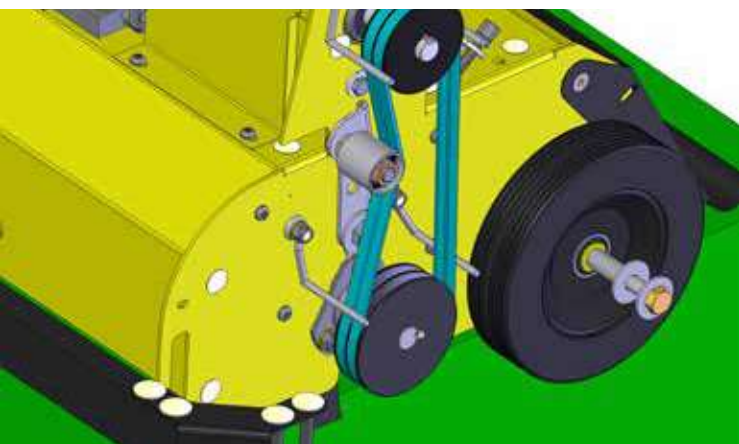
Screw-operated depth adjustment by key (on request)



**GOOD FOR RENTING**

To ensure the regeneration and greening of the grass layer in spring and autumn, it is advisable to remove excess thatch and vertically slice the surface layer of the soil. This operation ensures proper oxygenation of the lawn and is **carried out with an aerator (also known as a scarifier).**

## main features



*Belt drive*

- **Engine in central position**
- **Pressed steel flange bearing unit**
- **2 belts**
- **Wheels with metallic hub**
- **Standard working system:** movable knives
- **Optional working system:** fix knives, spring and knives
- **Height adjustment knob, with key lock (on request)**

## work system

### JU70B2

<b>GENERAL INFORMATION</b>	Working width	70 cm
	Dimensions (box)	620 x 670 x 660 h mm
	Dimensions pallet	(with 4 boxes) 1260 x 800 x 1500 h mm
	Weight	63 kg
	Bearings	2 with sheet metal support
<b>ENGINE</b>	Type	Briggs & Stratton 950 series (positioned against the body)
	Power	6,5 HP
<b>HANDLING SYSTEM</b>	Wheels	4 with metal rim
<b>WORK SYSTEM</b>	Standard	Rotor shaft with movable knives thickness 2,5 mm (step 40) (nr 48 blades)
	Transmission	2 belts

# JOSEF

## Self propelled power rake

Long lasting blade with anti-wear thermal treatment

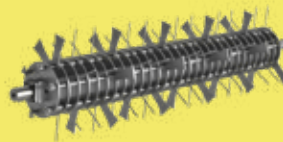


Composed the scarifier suitable for your lawn

Line for the maintenance of parks, gardens and football yard.



Movable knives



Spring and knives



Fixed knives

**It's the construction details that determine the quality of Agrinova scarifiers.**

Agrinova knows that every lawn is different and should be treated according to its needs, so the scarifiers that it \ systems.

The know-how gained over many years of experience and comparison with the gardening sector experts led to the development of different working systems, which allow us to treat with maximum efficiency any kind of lawn.



## strenghts



## GOOD FOR LANDSCAPERS

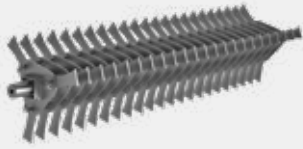
- > **The self-propelled power rake facilitates and speeds up** ploughing times. The operator, after actuating the large, sturdy lever at the end of the handlebars, only has to follow and guide the Power rake, which, with its own propulsion, can overcome climbs and inclines
- > **Variable speed** makes it possible to: adapt the machine to the conditions of the lawn to be ploughed; speed up movement between two work areas; facilitate loading onto vehicles

- **The metal thickness** of the shell
- The types of **bearings**
- The type of **belts**
- The **type of steel chosen** to produce the cutting knives
- **Heat treatments to make them as strong and sharp** as long as possible and the wide range of types of machines, to meet the specific needs of the lawn to care.



## work system

### rotor shaft with movable knives



**A system that allows:** verticutting, which performs a series of cuts in the soil from a recommended depth of half a cm; removal of felt by skimming the soil.  
**(Cod. ACU600: 42 knives thickness 2,5 mm)**

### Choice of blade thickness



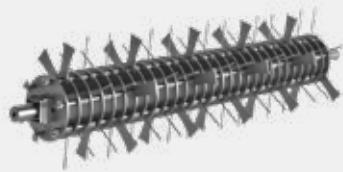
**2,5 mm**  
(as standard)



**1,2 mm**  
(on demand) for  
blade step 30 or  
40 mm

**Floating system:** if the blades hit an obstacle typically found in gardens (such as surface roots of plants, sprinkler heads, curbs, etc.), they do not get **damaged, as they rotate** around their center and return to their working position due to the **centrifugal force generated by the 3000 RPM** rotation.

### shaft with springs and knives

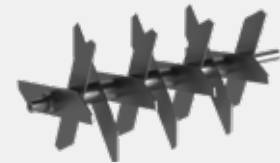


This type of cutting system requires **little engine power, and must** be carried out at the lowest possible speed.

### How to use

Often moss and felt accumulations are created on the lawn due to water stagnation and the constant presence of mowing left on the ground using the mulching system. Before aerating the grass roots and the first layer of soil, the felt layer must be cleaned. The grass layer must be combed out superficially using soft tips like those of a spring. However, since this is done at **high speed, with considerable power provided** by the internal combustion engine, it is necessary to give rigidity to the cutting system by interspersing the springs with movable knives. This prevents the system **from pushing too hard on the spring stalks** and thus preventing breakage.

### shaft with fixed blades



**Cod. ACU610: 12 knives thickness 2,5 mm**

### What is it

Verticutting is literally vertical cutting, the operation of creating **perfectly precise and rigid furrows in the grass**. The roots of the grass will be cut cleanly, without being torn or damaged. The furrow will have a constant depth and, if correctly recorded by the operator, 0,5/1 cm, which is ideal for oxygenating the soil.

## construction details



**Tires:** 4 tires 280 mm diameter, 100 mm wide



Chassis **4 mm thickness**



**Adjusting levers:** 7 for blades engaging 7 for self-propelling 1 for speed regulation (updating)

## construction details



**Speed controller:** achieved with a variable-diameter pulley. Speed from 0 to 4.5 km/h.



**Differential system:** obtained with freewheel sprocket and chain drive



**Good stability** thanks central position of engine



**Heavy duty gear boxes**



**Bearings with cast-iron support** and grease nipple make disassembly of the cutting shaft fast.



**Cutting depth regulation:** 11 positions.

## technical data

		JO60H4
<b>GENERAL INFORMATION</b>	Weight	90 kg
	Work Configuration - Dimensions	800 x 1150 x 1070 h mm
	Transport Configuration - Dimensions	800 x 1150 x 750 h mm
	Chassis	Made of 4 mm welded and powder-coated sheet metal
<b>ENGINE</b>	Type	Honda GP200
	Main Features	4-stroke, air-cooled, OHV (overhead valve), oilguard
	Displacement	Single-cylinder 196 cc
	Tank Capacity	3,1 l
	Oil Capacity	0,6 l
	Power	4,1 Kw@3600 RPM, Ref. SAE J1349
<b>WORK SYSTEM</b>	Nominal working width/body width	60 cm
	Standard	Rotor shaft with movable knives thickness 2,5 mm (step 40) (nr 42 blades) - Cod. ACU600
	Optional	Shaft with spring and blades (step 29) (nr 78 blades + 36 springs) - Cod AL670 Shaft Fixed knives thickness 2,5 mm (nr 12 blades) - Cod ACU610
	Knife shaft drive	1 section B belt, with high-performance coating
	Knife shaft bearings	Industrial cast iron bearings with grease nipple
	Working depth adjustment	11 clicks, with manual lever
<b>TRANSMISSION</b>	Drive	Rear
	Speed regulator	Continuous, variable pulley drive
	Transmission	Differential with freewheel sprockets and final chain drive
	Front/rear wheels	Pneumatic, Ø 280 mm, on ball bearings
	Max. speed	4,5 km/h

# JURGEN

## Power rake

Long lasting blade with anti-wear thermal treatment

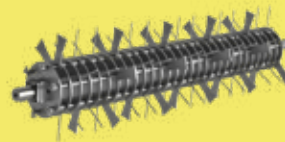


Composed the scarifier suitable for your lawn

Line for the maintenance of parks, gardens and football yard.



Movable knives



Spring and knives



Fixed knives



**NEW!** Screw-operated depth adjustment by key (on request)

Agrinova knows that every lawn is different and must be treated according to its needs, which is why the scarifiers it produces offer a **wide variety of cutting systems**. The know-how accumulated over many years of experience and discussions with experts in the gardening sector has led to the **development of various work systems that allow any type of lawn to be treated with maximum effectiveness**.



## Strengths



- **The metal thickness** of the shell
- The types of **bearings**
- The type of **belts**
- The **type of steel chosen** to produce the cutting knives
- **Heat treatments to make them as strong and sharp** as long as possible and the wide range of types of machines, to meet the specific needs of the lawn to care.

## GOOD FOR RENTING

- › They are **handy but robust**
- › Professional engines that with **oil alert**
- › They have **quality belts**
- › They mounted wheels **with metal hub**
- › **Count-hours** on demand

To ensure the regeneration and greening of the grass layer in spring and autumn, it is advisable to remove excess thatch and vertically slice the surface layer of the soil. This operation ensures proper oxygenation of the lawn and is **carried out with an aerator (also known as a scarifier)**.



1. Honda or B&S engine
2. Robust steel shell (3 mm)
3. Carter belt cover
4. Screw-operated depth adjustment (up to 25-30 mm with unworn blades)
5. Lever (to stop the movement of the knives on)
6. Wheel swing section
7. Wheels with metal hub
8. Height adjustment system protection mask
9. Cast Iron Pillow Block Bearings with Grease Zerk

## work system

### rotor shaft with movable knives



A system that allows: verticutting, which performs a series of cuts in the soil from a recommended depth of half a cm; removal of felt by skimming the soil.

### Choice of blade thickness

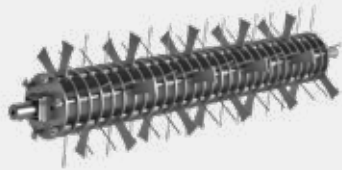


2,5 mm  
(as standard)

1,2 mm  
(on demand) for  
blade step 30 or  
40 mm

**Floating system:** if the blades hit an obstacle typically found in gardens (such as surface roots of plants, sprinkler heads, curbs, etc.), they do not get **damaged, as they rotate** around their center and return to their working position due to the **centrifugal force generated by the 3000 RPM** rotation.

### shaft with springs and knives

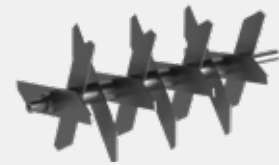


This type of cutting system requires **little engine power, and must** be carried out at the lowest possible speed.

### How to use

Often moss and felt accumulations are created on the lawn due to water stagnation and the constant presence of mowing left on the ground using the mulching system. Before aerating the grass roots and the first layer of soil, the felt layer must be cleaned. The grass layer must be combed out superficially using soft tips like those of a spring. However, since this is done at **high speed, with considerable power provided** by the internal combustion engine, it is necessary to give rigidity to the cutting system by interspersing the springs with movable knives. This prevents the system **from pushing too hard on the spring stalks** and thus preventing breakage.

### shaft with fixed blades



### What is it

Verticutting is literally vertical cutting, the operation of creating **perfectly precise and rigid furrows in the grass**. The **roots** of the grass will be cut cleanly, without being torn or damaged. The furrow will have a constant depth and, if correctly recorded by the operator, 0,5/1 cm, which is ideal for oxygenating the soil.

## construction details



Recoiling bag (optional)



Easy to transport even with small cars

## construction details



### Double toothed belt drive

(made in Germany) to ensure many hours of work (ideal for rental purposes). Metal belt tensioning drive, mounted on double bearings with 60 mm diameter.



**Oscillating bearings on cast iron support** and greasing point.



**Oscillating wheel axle:** the cutting system always remains parallel to the ground (even on slopes).

## work system

		JURGEN	JURGEN
<b>ENGINE - CODE SCARIFIER</b>	Working width	<b>45 cm</b>	<b>60 cm</b>
		Briggs & Stratton series 950 <b>Cod. JU47B2-RM</b> Honda GX160 - <b>Cod. JU47H-RM</b>	Briggs & Stratton series 950 <b>Cod. JU603B2-RM</b> Honda GX160 - <b>Cod. JU603H-RM</b>
<b>WORK SYSTEM</b>	Toothed belts	2	2
	Standard	Shaft with mobile blades 2,5 mm thickness (step 40 mm) <b>Cod. ACO</b> (33 Blades)	Shaft with mobile blades 2,5 mm thickness (step 40 mm) <b>Cod. AC2</b> (42 Blades)
		Shaft with mobile blades 2,5 mm thickness (step 30 mm) <b>Cod. AR245</b>	Shaft with mobile blades 2,5 mm thickness (step 30 mm) <b>Cod. AR260</b>
	Optional	Rotor shaft with movable knives thickness 1.2 mm (step 40) <b>Cod. ACOS</b>	Rotor shaft with movable knives thickness 1.2 mm (step 40) <b>Cod. AC2S</b>
		Rotor shaft with movable knives Thickness 1.2 mm (step 30) <b>Cod. AR252</b>	Rotor shaft with movable knives Thickness 1.2 mm (step 30) <b>Cod. AR261</b>
		Shaft with fixed blades Thickness 2.5 mm (step 40) <b>Cod. AR305</b> (15 Blades)	Shaft with fixed blades Thickness 2.5 mm (step 40) <b>Cod. AR301</b> (19 Blades)
		Shaft with fixed blades Thickness 2.5 mm (step 30) <b>Cod. ACOF2</b>	Shaft with fixed blades Thickness 2.5 mm (step 30) <b>Cod. AC2F2</b>
		Shaft with fixed blades Thickness 1.2 mm (step 30) <b>Cod. ACOF</b>	Shaft with fixed blades Thickness 1.2 mm (step 30) <b>Cod. AC2F</b>
		Shaft with fixed blades Thickness 1.2 mm (step 40) <b>Cod. ACOF1</b>	Shaft with fixed blades Thickness 1.2 mm (step 40) <b>Cod. AC2F1</b>
		Shaft with spring and blades - <b>Cod. AL48</b>	Shaft with spring and blades - <b>Cod. AL61</b>
<b>GENERAL INFORMATION</b>		Weight	53 kg
Dimensions (box)	620 x 670 x 660 h cm	750 x 670 x 660 h cm	
Dimensions pallet	(4 boxes) 1260 x 800 x 1500 h cm	(4 boxes) 1360 x 800 x 1500 h cm	
Bag	Optional (on request) <b>Cod. AR370</b>	Optional (on request) <b>Cod. AR371</b>	
Wheels	4 with metal rim	4 with metal rim	

# JEFF

## Power rake

Long lasting blade with anti-wear thermal treatment



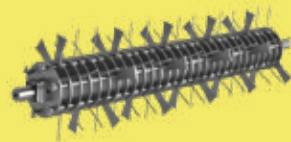
Composed the scarifier suitable for your lawn

Line for the maintenance of parks, gardens and football yard.

**For lawns and sports fields  
(38 - 45 cm)**



Movable knives



Spring and knives



Fixed knives

**It's the construction details that determine the quality of Agrinova scarifiers.**

Agrinova knows that every lawn is different and should be treated according to its needs, so the scarifiers that it \ systems.

The know-how gained over many years of experience and comparison with the gardening sector experts led to the development of **different working systems, which allow us to treat with maximum efficiency any kind of lawn.**



## strenghts



- The **metal thickness** of the shell
- The types of **bearings**
- The type of **belts**
- The **type of steel chosen** to produce the cutting knives
- **Heat treatments to make them as strong and sharp** as long as possible and the wide range of types of machines, to meet the specific needs of the lawn to care.

## HIGH QUALITY SCARIFIER

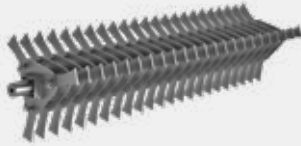
> To ensure the regeneration and greening of the grass layer in spring and autumn, it is advisable to remove excess thatch and vertically slice the surface layer of the soil. This operation ensures proper oxygenation of the lawn and is **carried out with an aerator (also known as a scarifier).**



1. Engine
2. Robust steel shell (3 mm)
3. Carter belt cover
4. Screw-operated depth adjustment
5. Lever (to stop the movement of the knives on)
6. Wheel swing section
7. Cast Iran Pillow Block Bearings

## work system

### rotor shaft with movable knives



A system that allows: verticutting, which performs a series of cuts in the soil from a recommended depth of half a cm; removal of felt by skimming the soil.

### Choice of blade thickness

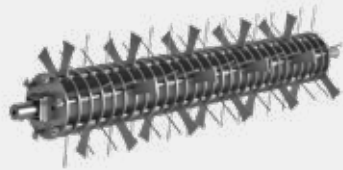


2,5 mm  
(as standard)

1,2 mm  
(on demand) for  
blade step 30 or  
40 mm

**Floating system:** if the blades hit an obstacle typically found in gardens (such as surface roots of plants, sprinkler heads, curbs, etc.), they do not get **damaged, as they rotate** around their center and return to their working position due to the **centrifugal force generated by the 3000 RPM** rotation.

### shaft with springs and knives

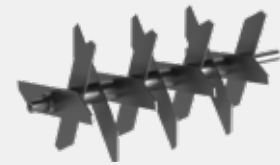


This type of cutting system requires **little engine power, and must** be carried out at the lowest possible speed.

### How to use

Often moss and felt accumulations are created on the lawn due to water stagnation and the constant presence of mowing left on the ground using the mulching system. Before aerating the grass roots and the first layer of soil, the felt layer must be cleaned. The grass layer must be combed out superficially using soft tips like those of a spring. However, since this is done at **high speed, with considerable power provided** by the internal combustion engine, it is necessary to give rigidity to the cutting system by interspersing the springs with movable knives. This prevents the system **from pushing too hard on the spring stalks** and thus preventing breakage.

### shaft with fixed blades



### What is it

Verticutting is literally vertical cutting, the operation of creating **perfectly precise and rigid furrows in the grass**. The roots of the grass will be cut cleanly, without being torn or damaged. The furrow will have a constant depth and, if correctly recorded by the operator, 0,5/1 cm, which is ideal for oxygenating the soil.

## construction details



**Recoiling bag** (optional)



**Easy to transport** even with small cars

## construction details



**Double toothed belt drive** (for 45 and 60 cm models). Steel drive on double bearing to ensure high speed (long service life).



**Oscillating wheel axle:** the cutting system always remains parallel to the ground (even on slopes).

## technical data

		JE38R	JE47B2
<b>ENGINE - CODE SCARIFIER</b>	Working width	<b>38 cm</b>	<b>45 cm</b>
		Briggs & Stratton series E550 <b>Cod. JE38R</b>	Briggs & Stratton series 950 <b>Cod. JE47B2</b>
<b>WORK SYSTEM</b>	Toothed belts	1	2
	Standard	Shaft with mobile blades 2,5 mm thickness (step 40 mm)	Shaft with mobile blades 2,5 mm thickness (step 40 mm) <b>Cod. ACO</b> (33 blades)
		Shaft with mobile blades 2,5 mm thickness (step 30 mm) <b>Cod. AR1512</b>	Shaft with mobile blades 2,5 mm thickness (step 30 mm) <b>Cod. AR245</b>
		Not available	Rotor shaft with movable knives thickness 1.2 mm (step 40) <b>Cod. ACOS</b>
		Not available	Rotor shaft with movable knives thickness 1.2 mm (step 30) <b>Cod. AR252</b>
	Optional	Shaft with fixed blades thickness 2.5 mm (step 40) <b>Cod. AR450</b> (9 coltelli)	Shaft with fixed blades thickness 2.5 mm (step 40) <b>Cod. AR305</b> (11 coltelli)
		Shaft with fixed blades thickness 2.5 mm (step 30) <b>Cod. AR450F2</b>	Shaft with fixed blades thickness 2.5 mm (step 30) <b>Cod. ACOF2</b>
		Not available	Shaft with fixed blades thickness 1.2 mm (step 30) <b>Cod. ACOF</b>
		Not available	Shaft with fixed blades thickness 1.2 mm (step 40) <b>Cod. ACOF1</b>
		Not available	Shaft with spring and <b>blades - Cod. AL48</b> (14 blades / 28 springs)
<b>GENERAL INFORMATION</b>	Weight	36,5 kg	54 kg
	Dimensions (box)	660 x 530 x 630 h cm	620 x 670 x 660 h cm
	Dimensions pallet	6 pallet boxes 1200 x 800 x 2100 h cm	4 pallet boxes 1260 x 800 x 1500 h cm
	Bag	Optional (on request) <b>Cod. AR338</b>	Optional (on request) <b>Cod. AR370</b>
	Wheels	4 plastic with ball bearings	4 with metal rim



# AGRINOVA

Ceccato-Mantovani

Products are subject to technical evolution, and this catalog may not be fully up to date. The data shown in the tables, photos, and images are intended for informational purposes only and are not binding. AGRINOVA S.r.l. reserves the right to make changes to its products at any time and without prior notice, without any obligation to extend these changes to machines already delivered. All photos, images, drawings, tables, and data are the property of AGRINOVA S.r.l., and any reproduction, even partial, is strictly prohibited without written authorization.

# AGRINOVA

Ceccato-Mantovani

Via 24 Maggio, 26, 35010  
Curtarolo PD

P.I. 04095710283

**+39 049 574 2645**  
**agrinova@agrinova-italia.it**

Spare parts required:  
**parts@agrinova-italia.it**

**[www.agrinova-italia.it](http://www.agrinova-italia.it)**

gardening machines